

- **Style: Simple**
- **Size: Mid Tower supports up to E-ATX MB**
- **Material: Steel & Tempered Glass**

### Main Features

- **Connection** : Front I/O ports with 2 x USB 3.0 & 1 x USB 3.2 (Gen 2) Type C
- **Ventilation**: Preinstalled 140mm ARGB front fan x 2 + 140mm rear fan x 1
- **Supports AIO cooling solutions**
- **Supports hidden connector motherboard from ASUS and MSI**
- **Dual front panels**



## Specification

Model	Ceres 350 MX	Ceres 350 MX Snow
P/N	CA-1Z3-00M1WN-00	CA-1Z3-00M6WN-00
Case Type	Mid Tower	
Chassis Dimension (H*W*D)	475 x 245 x 463 mm (18.7 x 9.65 x 18.23 inch)	
Net Weight	8.85 kg / 19.51 lbs.	
Panel	Tempered Glass x 2	
Color	Black	White
Material	SPCC	
Cooling System	<b>Front(intake):</b> 140 x 140 x 25 mm CT140 ARGB fan (1500rpm, 30.5 dBA) x 2 <b>Rear(exhaust):</b> 140 x 140 x 25 mm CT140 (1500rpm, 30.5 dBA) x 1	<b>Front(intake):</b> 140 x 140 x 25 mm CT140 ARGB <u>white</u> fan (1500rpm, 30.5 dBA) x 2 <b>Rear(exhaust):</b> 140 x 140 x 25 mm CT140 <u>white</u> fan (1500rpm, 30.5 dBA) x 1
Drive Bays	1 x 3.5", 2 x 2.5" or 3 x 2.5"	
Expansion Slots	7 (Rotatable Patented Design)	
Motherboards	6.7" x 6.7" (Mini ITX), 9.6" x 9.6" (Micro ATX), 12" x 9.6" (ATX), 12" x 13" (E-ATX)	
I/O Port	USB 3.2 (Gen 2) Type-C x 1, USB 3.0 x 2, HD Audio x 1	
PSU	Standard PS2 PSU ( <b>optional</b> )	
Fan Support	<b>Front:</b> 3 x 120mm, 2 x 120mm, 1 x 120mm 2 x 140mm, 1 x 140mm <b>Top:</b> 3 x 120mm, 2 x 120mm, 1 x 120mm 2 x 140mm, 1 x 140mm <b>Rear:</b> 1 x 120mm, 1 x 140mm	
Radiator Support	<b>Front:</b> 1 x 360mm, 1 x 240mm, 1 x 120mm 1 x 280mm, 1 x 140mm <b>Top:</b> 1 x 240mm, 1 x 120mm 1 x 280mm, 1 x 140mm <b>Rear:</b> 1 x 120mm	
Clearance	<b>CPU cooler max height:</b> 185mm <b>VGA max length:</b> 360mm <b>PSU max length:</b> 220mm	

## Packaging

Package Information	Ceres 350 MX	Ceres 350 MX Snow
EAN Code	4711475644342	4711475644359
UPC Code	841163094358	841163094365
N.W	8.85 kg / 19.51 lbs.	
G.W	10.28 kg / 22.66 lbs.	
Carton Size (L x W x H)	520.9 x 319 x 534.8 mm / 20.51 x 12.56 x 21.06 inch	
Cuft	3.14	
Container	w/o pallet	
20'	318 pcs	
40'	653 pcs	
40' HQ	741 pcs	





# Thermaltake Ceres 350 MX Mid Tower Chassis

Appearance –  
Black version



Angle view



Left Side view



Front view



Right Side view



Internal Structure



Rear view



Top view



Bottom view



## Appearance – Snow version



Angle view



Left Side view



Front view



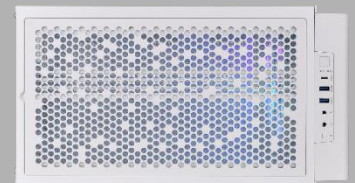
Right Side view



Internal Structure



Rear view



Top view



Bottom view

## Unique Design



Dual Front Panels

(3mm TG and Perforated Mesh)



Compatible with Hidden-Connectors  
Motherboard from ASUS and MSI



# Thermaltake Ceres 350 MX Mid Tower Chassis

Unique Design



Metal Panel with Circular Cut-Out that's  
Compatible with **2.1" Circle LCD Screen Kit**  
(AC-075-00ONAN-A1)

## Clearance



Maximum support up  
to 140mm fan x 5



Maximum radiator  
support up to 360mm at  
front



## Structure (External)



**USB 3.2 (Gen 2) Type-C x 1**

**USB 3.0 x 2**

**HD Audio**



**Full length power cover**



**4mm Side Tempered Glass  
Window x 1**

## Structure (Internal)

Preinstalled Fans:

CT140 ARGB fan x 2 at front

CT140 fan x 1 at rear



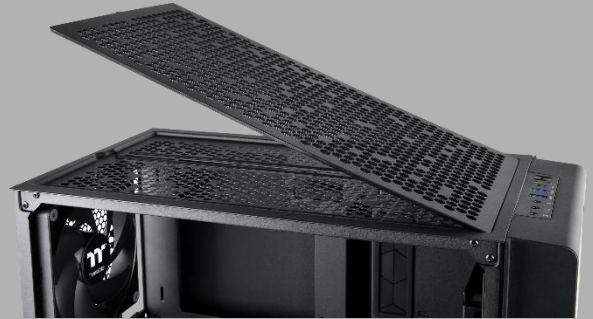
Velcro Straps for better  
cable management



## Structure (Internal)



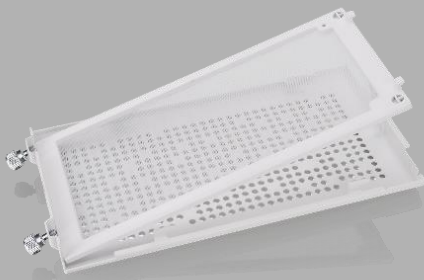
Front filter



Top filter



Bottom filter



Left side filter



Right side filter

## Rotational VGA bracket design



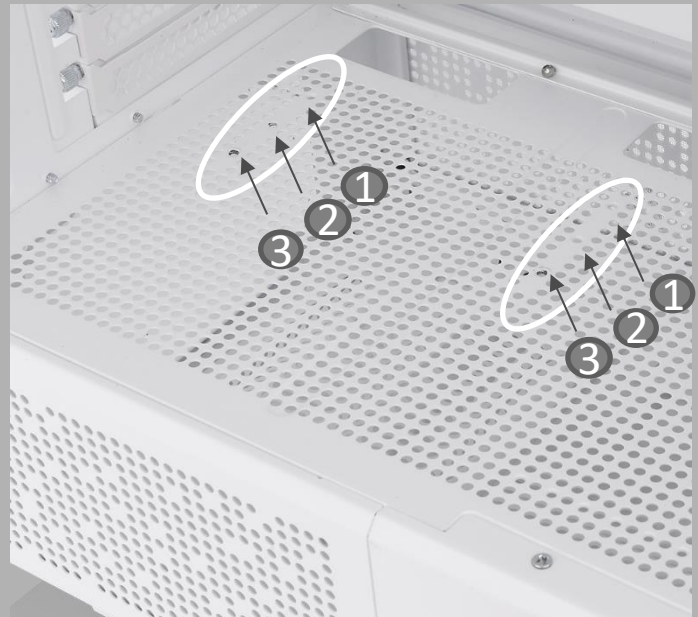
Horizontal VGA installation



Vertical VGA installation



Supports 90° riser cable installation



Three places for riser cable installation

## Structure (Internal)



Maximum support up to **2.5" SSD x 3**



Maximum support up to **3.5" HDD x 1**



## Pre-installed ARGB Fans



Pre-installed two hydraulic bearing **CT140 ARGB** fans which can effectively lower the operation noise and enhance the thermal efficiency.



Black Version



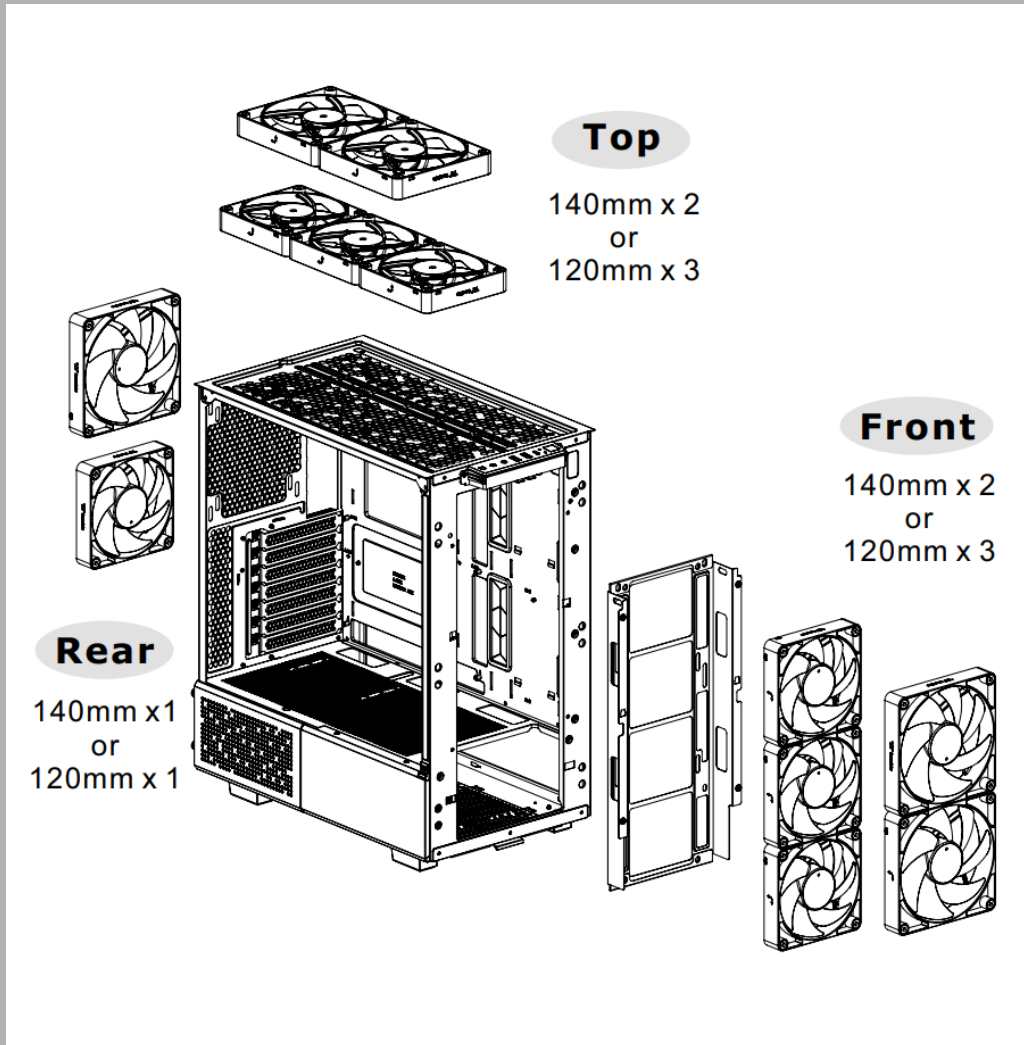
Snow Version

## SPEC for Case ARGB **CT140 ARGB** fans

- Fan Speed: 500~1500 RPM
- Max. Fan Airflow: 77.37 CFM
- Max. Fan Air Pressure: 2.3 mm-H2O
- Fan Noise Level: 30.5 dBA
- Fan Bearing: Hydraulic bearing

## Compatibility List

Fan Compatibility List			
	120mm	140mm	200mm
Front	3	2	-
Top	3	2	-
Rear	1	1	-



## All-in-One Compatibility

All-in-One Compatibility List						
	120mm	240mm	360mm	140mm	280mm	420mm
Front	●	●	●	●	●	-
Top	●	●	-	●	●	-
Rear	●	-	-	-	-	-

