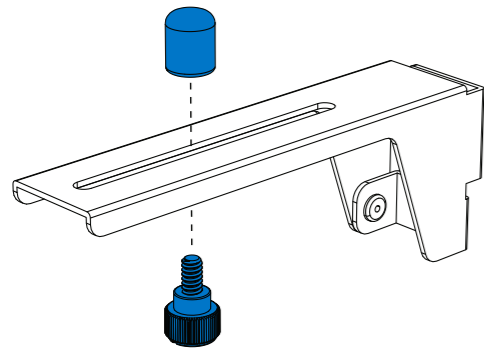


Torrent GPU Bracket

Installation guide

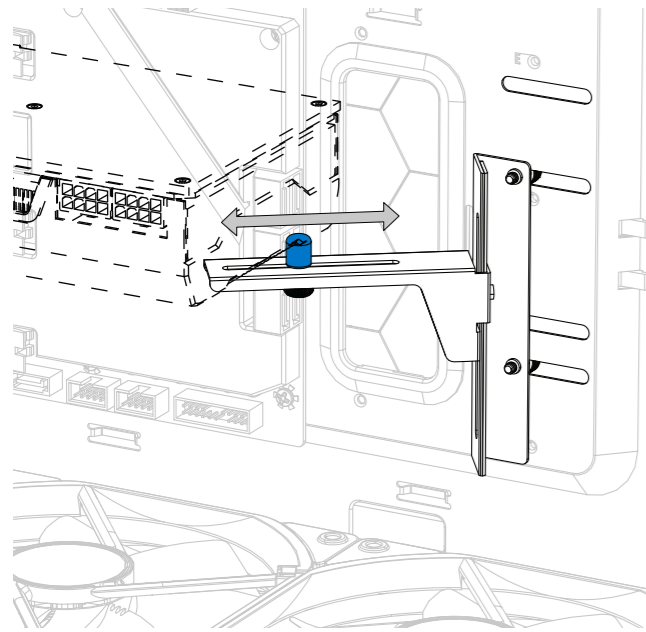


Install the Rubber Standoff



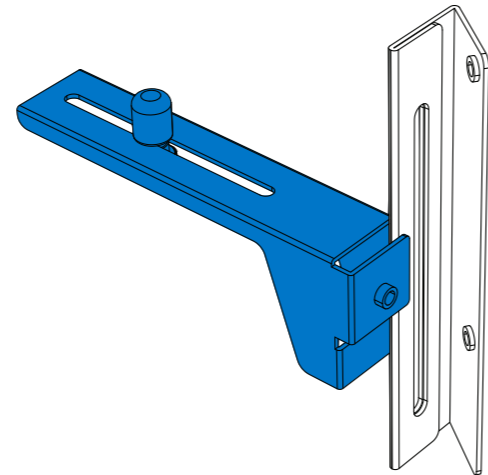
1.

Adjust the Rubber Standoff to align with a flat surface on your graphics card



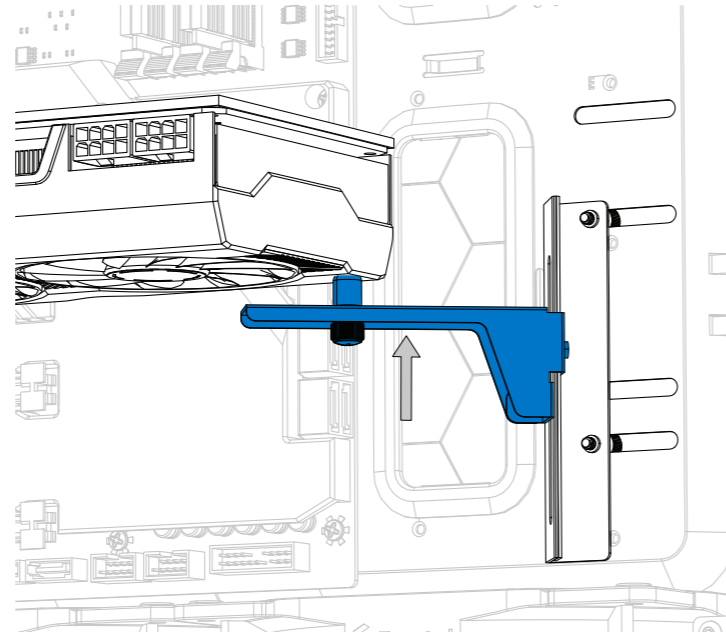
5.

Mount the Support Arm to the Support Bracket



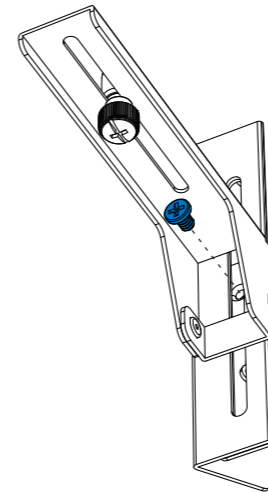
2.

Adjust the height of the Support Arm against a flat surface on your graphics card



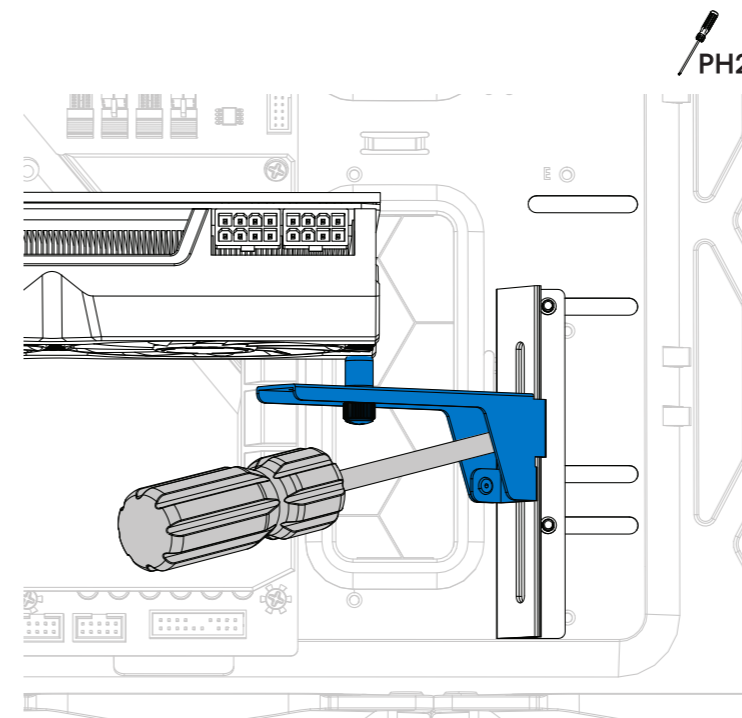
6.

Lock the Support Arm loosely in place with a Screw (6-32)



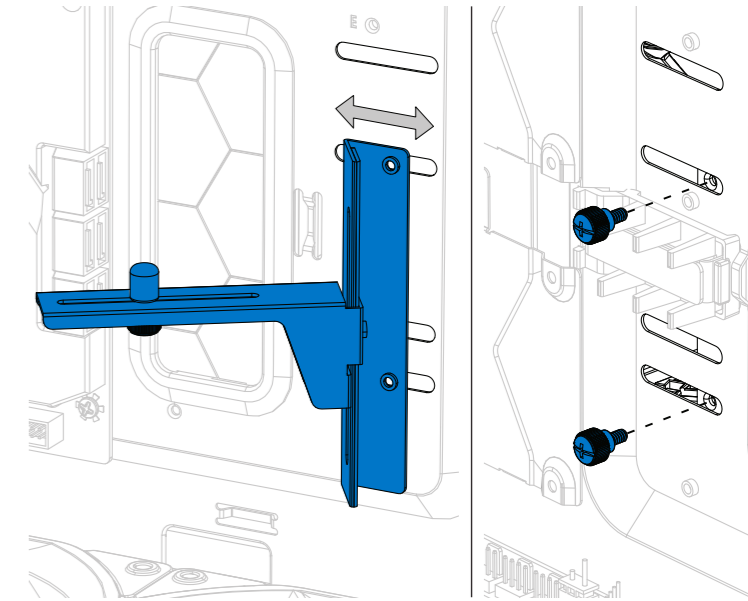
3.

Lock the Support Arm firmly in place with a screwdriver



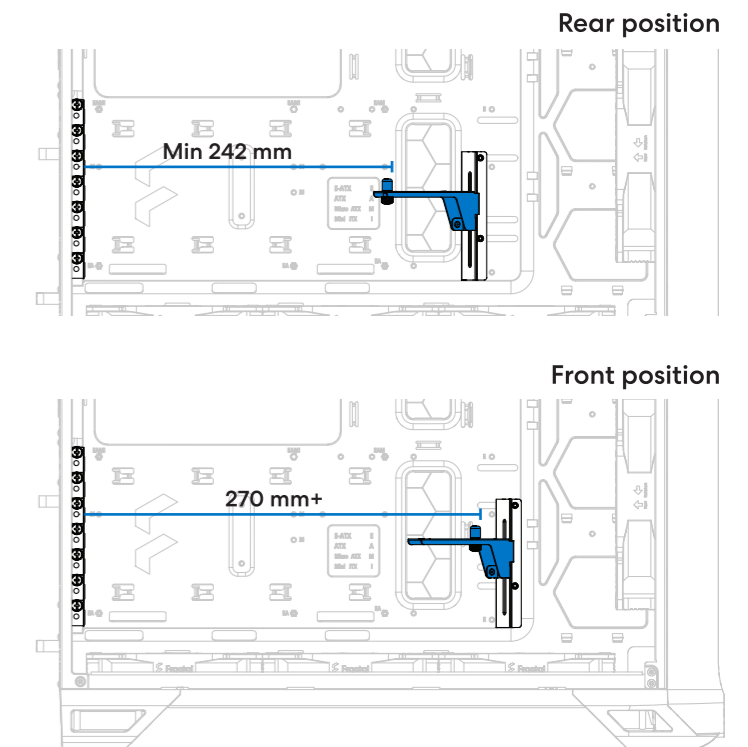
7.

Place the Support Bracket in the Torrent case and insert 2 x Thumbscrew (6-32)



4.

Adjusting the reach of the GPU Support Bracket



Torrent

GPU Support Bracket

Contents

- 1** Support Arm
- 2** Angled Support Bracket
- 3** Rubber Standoff
- 4** 3 x Thumbscrew (6-32)
- 5** 1 x Screw (6-32)

