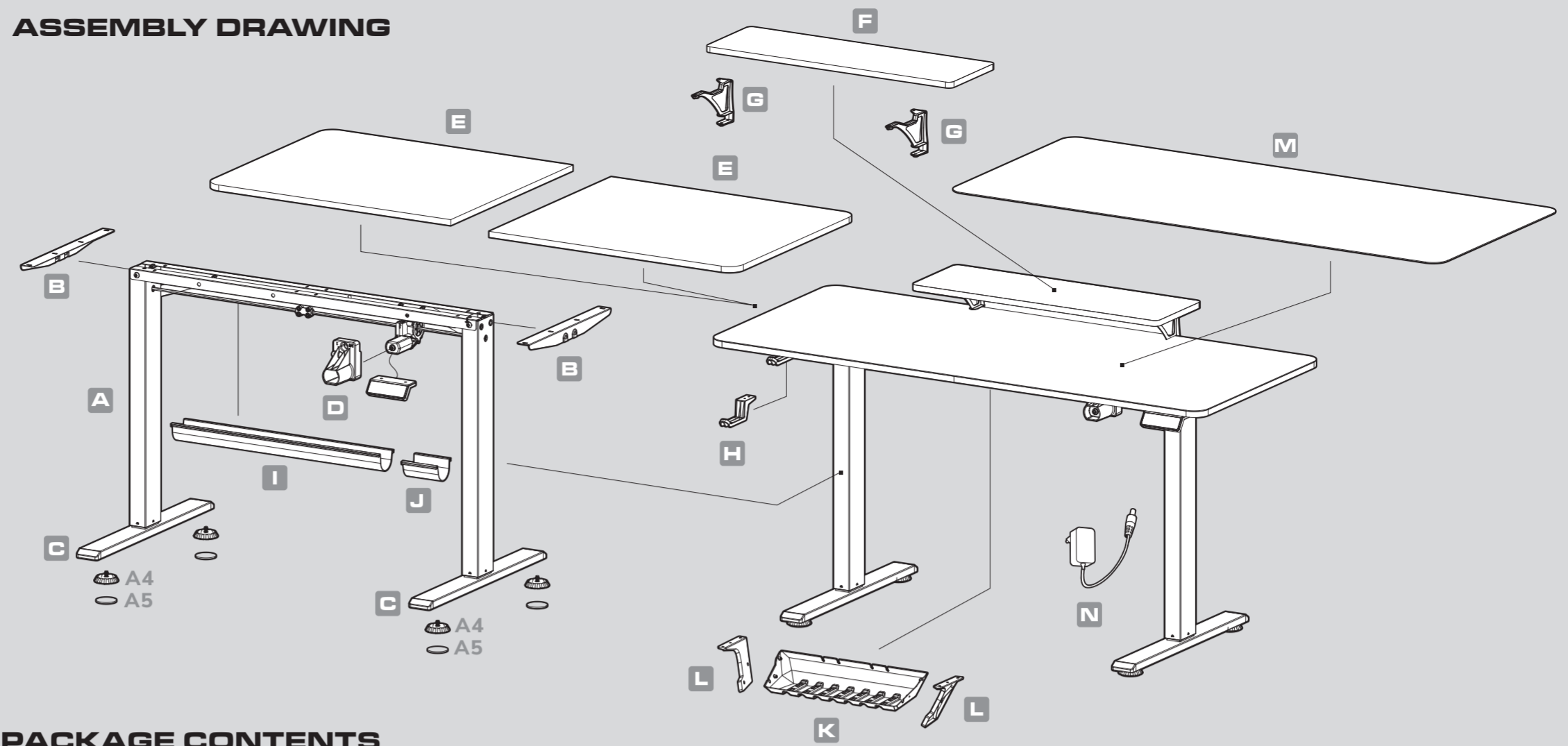




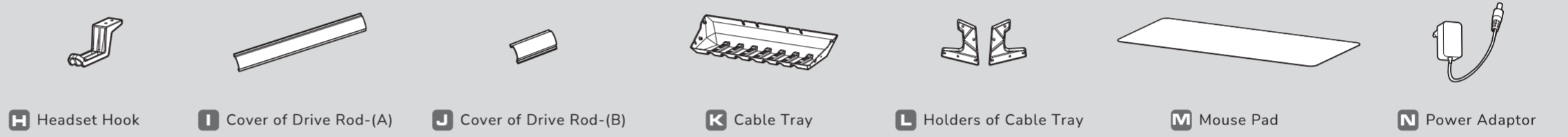
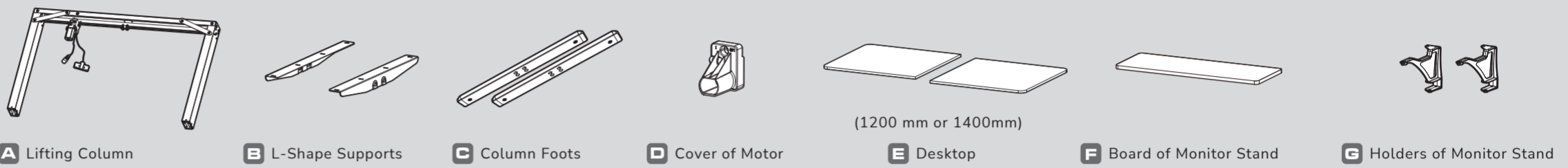
E-STAR 120/140

ELECTRIC GAMING DESK

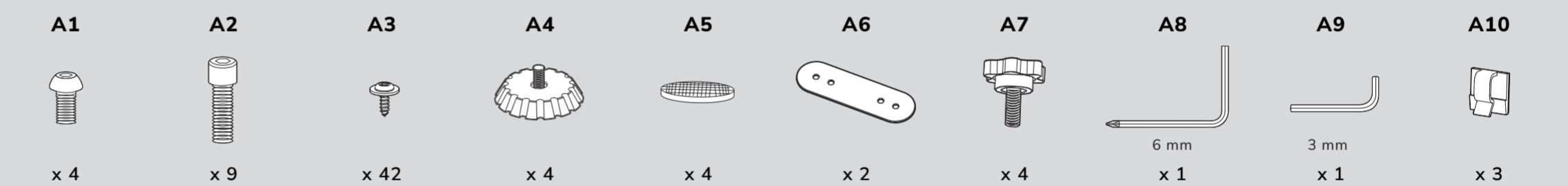
ASSEMBLY DRAWING



PACKAGE CONTENTS



ACCESSORY KIT



SPECIFICATIONS

Product Name	E-STAR 120 / 140 Electric Gaming Desk
Model No.	E-STAR 120 : CGR-E-STAR120 E-STAR 140 : CGR-E-STAR140
Voltage Requirement for Electric Adjustment	100~240Vac
Desktop Dimension	E-STAR 120 : 1200 x 600 x 15 mm E-STAR 140 : 1400 x 600 x 15 mm
Desktop Height Range	720~1170 mm
Desktop Total Weight Capacity	60 kg
Monitor Stand Independent Weight Capacity (Included in Total)	15 kg

ДАТА ИЗГОТОВЛЕНИЯ ПРОДУКЦИИ

год и месяц изготовления продукции указаны в серийном номере продукта. (существует 2 способа определения даты изготовления, оба способа описаны ниже)
A После S/N: первые две цифры означают год, вторые две – месяц изготовления. Например, S/N: H1702000001 означает, что товар был произведен в феврале 2017 года.
B После S/N: если указаны буквы, то две буквы представляют цифры из таблицы ниже, и означают год, последующие две цифры – месяц изготовления. Например, S/N: DAG02REV1000001 означает, что товар был произведен в феврале 2017 года.

БЪЛГАРИЯ

* Подробни инструкции за употреба изтеглете от: <https://cougargaming.com/bg>
 България QR код

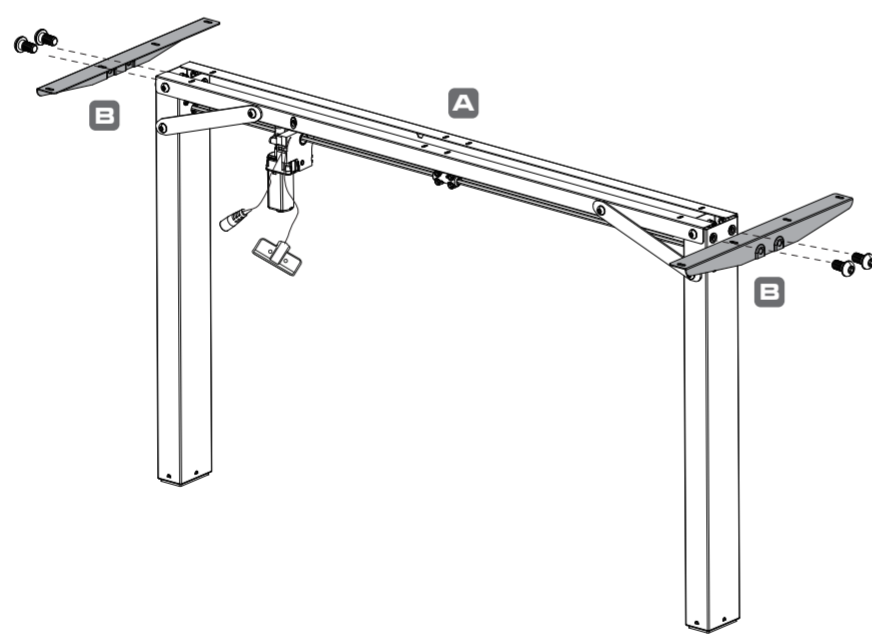
A	B	C	D	E	F	G	H	I	J
1	2	3	4	5	6	7	8	9	0

* Например, AG = 17 = 2017 год

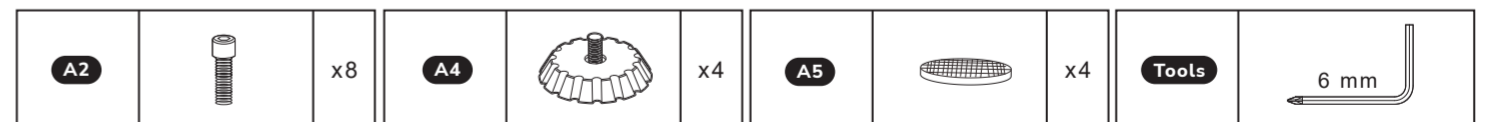
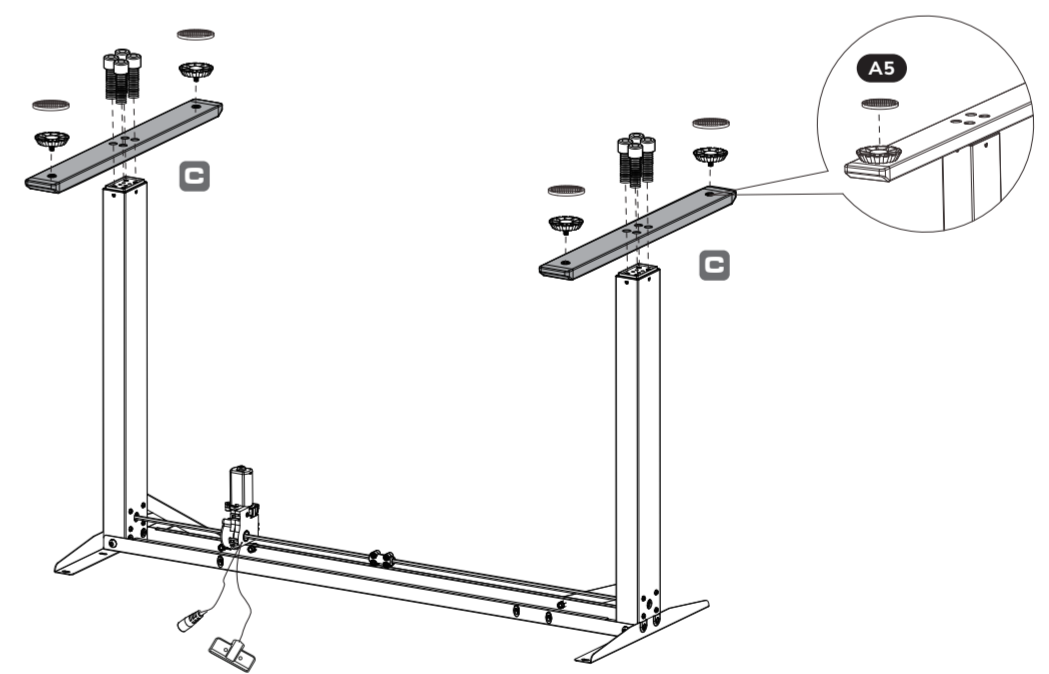
1



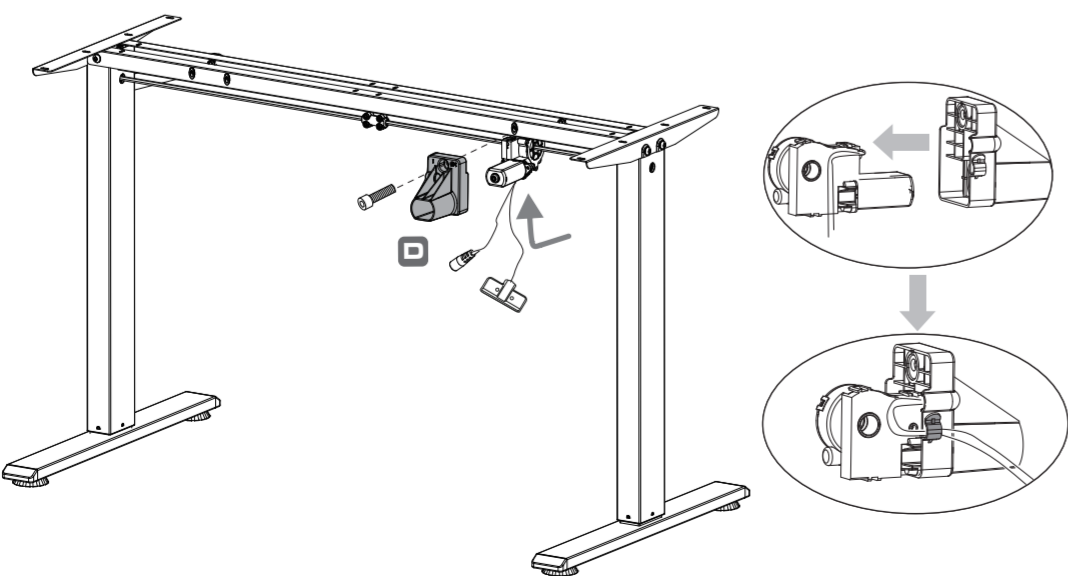
- Assembly recommended with a partner for safety and efficiency.
- Montagem recomendada com parceiro para segurança e eficiência.
- Montaje recomendado con un socio para mayor seguridad y eficiencia.
- Рекомендуется проводить сборку совместно с партнером в целях безопасности и эффективности.
- Aus Gründen der Sicherheit und Effizienz wird die Montage mit einem Partner empfohlen.
- Montage recommandé avec un partenaire pour plus de sécurité et d'efficacité.
- 안전과 효율성을 위해 파트너와 함께 조립하는 것이 좋습니다.
- 安全性和効率性を確保するために、パートナーと一緒に組み立てることをお勧めします。
- 为了安全和效率，建议两人一起组装。
- 為了安全和效率，建議兩人一起組裝。



2

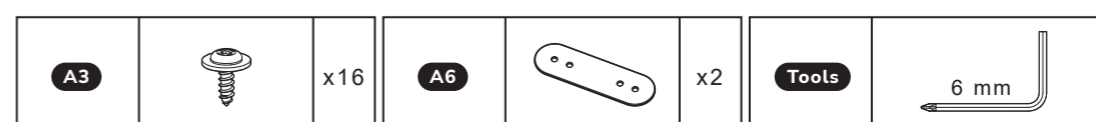
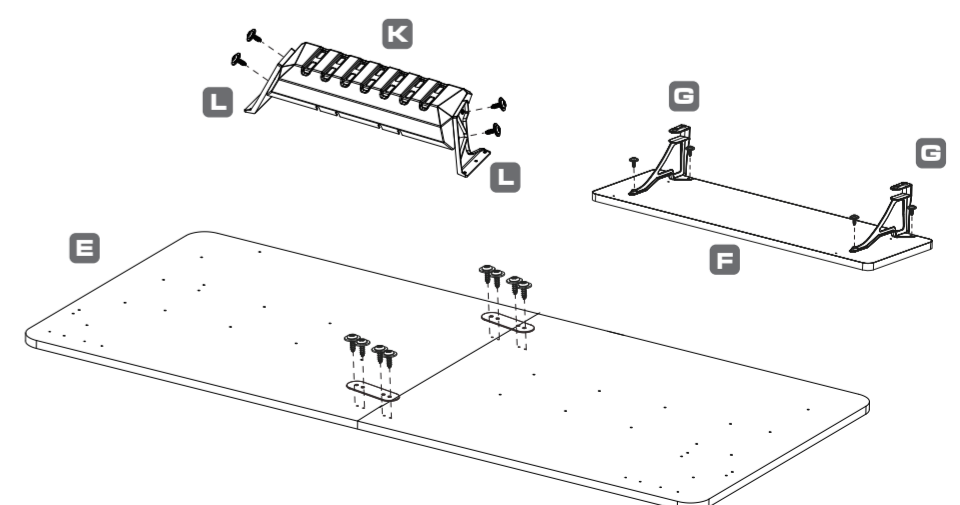


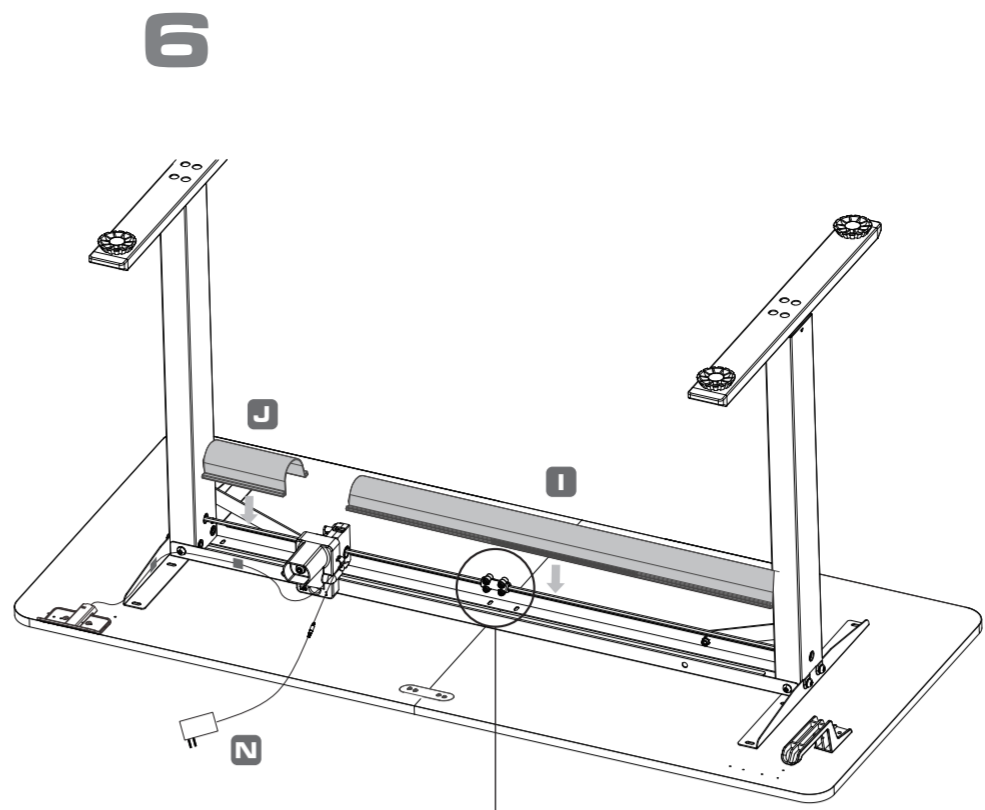
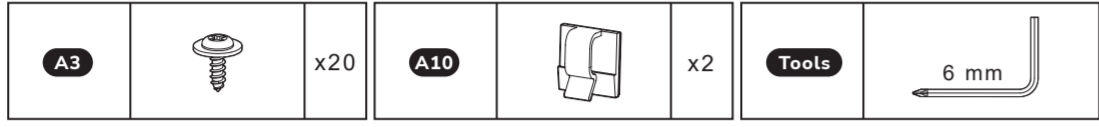
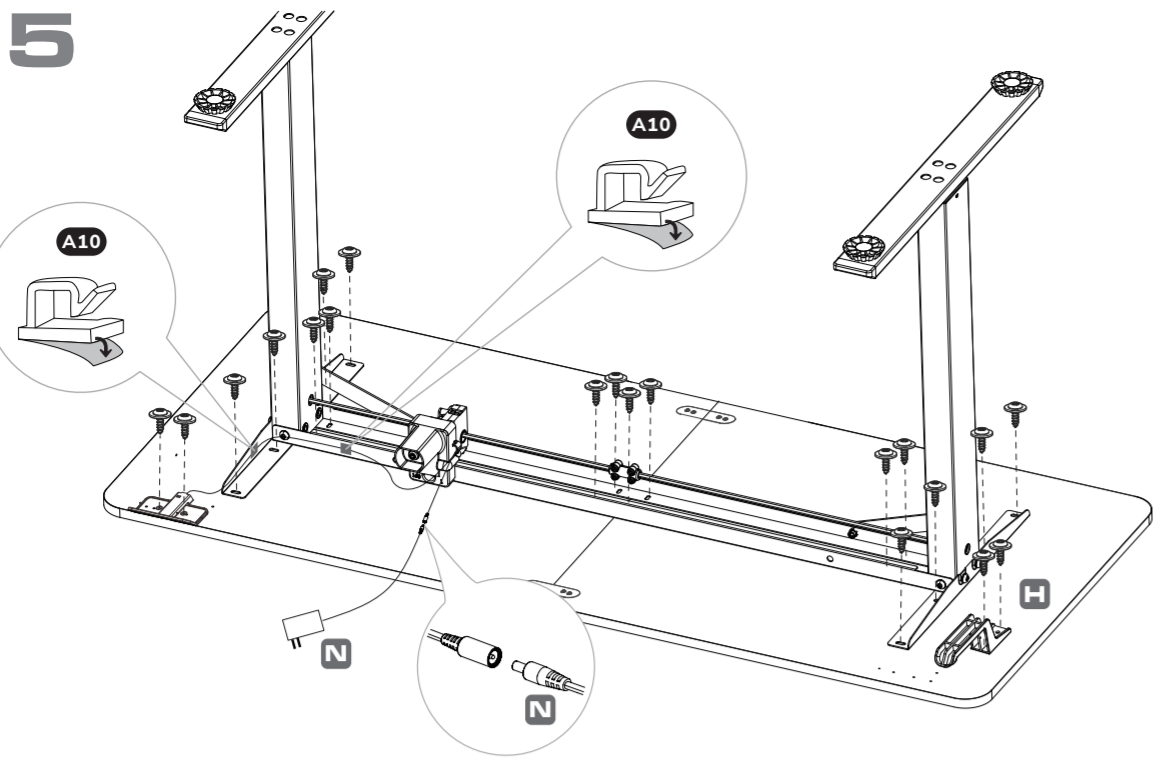
3



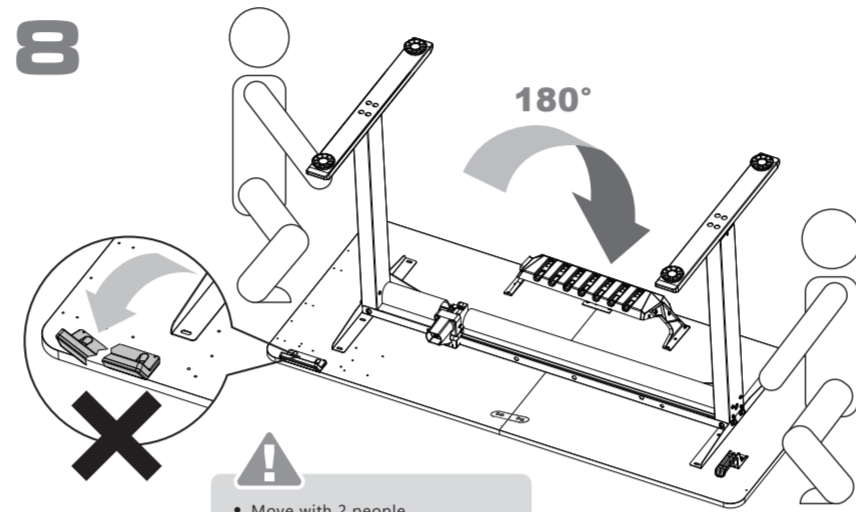
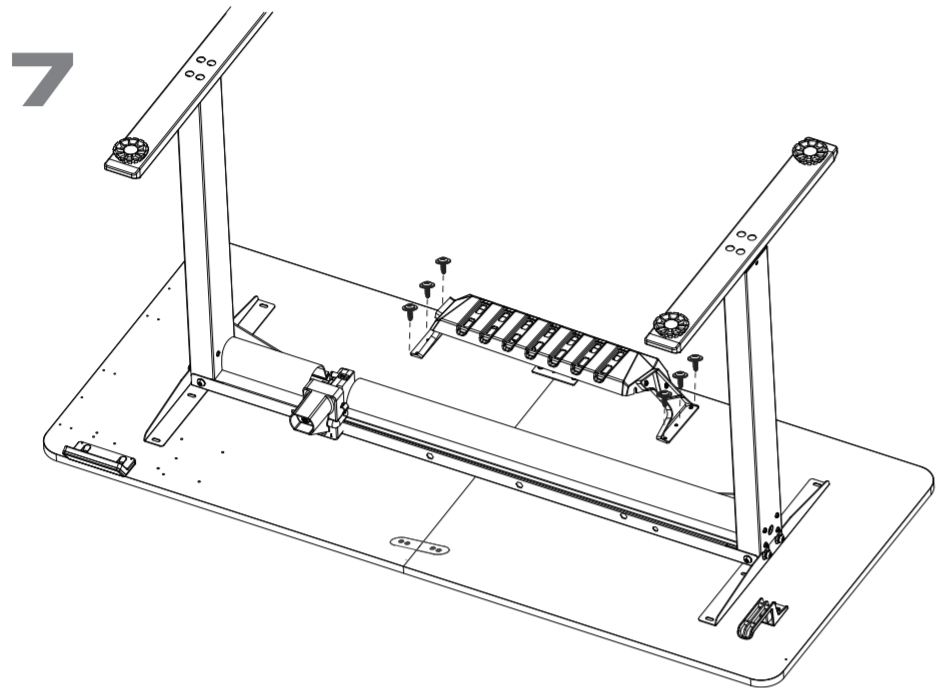
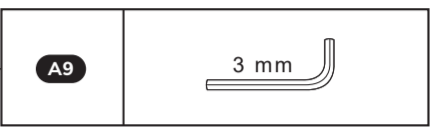
4

- Please make sure the two boards are aligned and seamless.
- Certifique-se de que as duas placas estejam alinhadas e perfeitas.
- Asegúrese de que las dos tablas estén alineadas y sin costuras.
- Убедитесь, что две доски выровнены и бесшовны.
- Bitte stellen Sie sicher, dass die beiden Bretter ausgerichtet und nahtlos sind.
- Veuillez vous assurer que les deux planches sont alignées et homogènes.
- 두 보드가 정렬되어 있고 이음새가 없는지 확인하십시오.
- 2つのボードが位置合わせされ、継ぎ目がないことを確認してください。
- 請確保兩塊桌板對齊且無縫。
- 請確保兩塊桌板對齊且無縫。

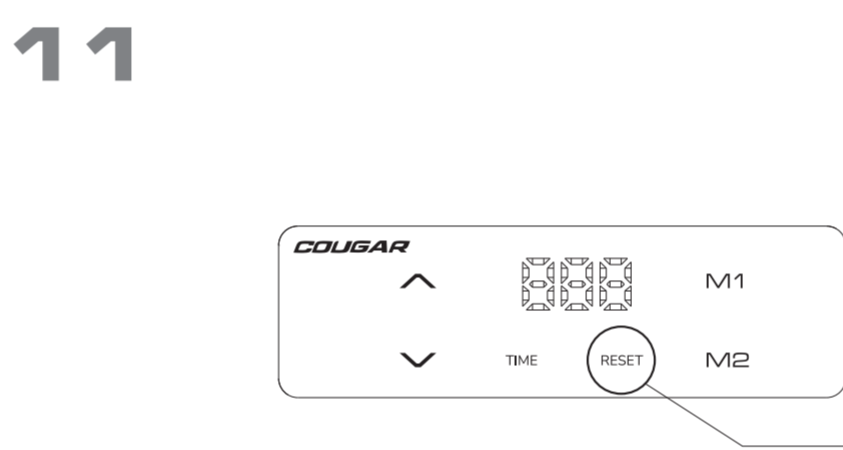
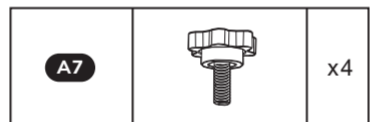
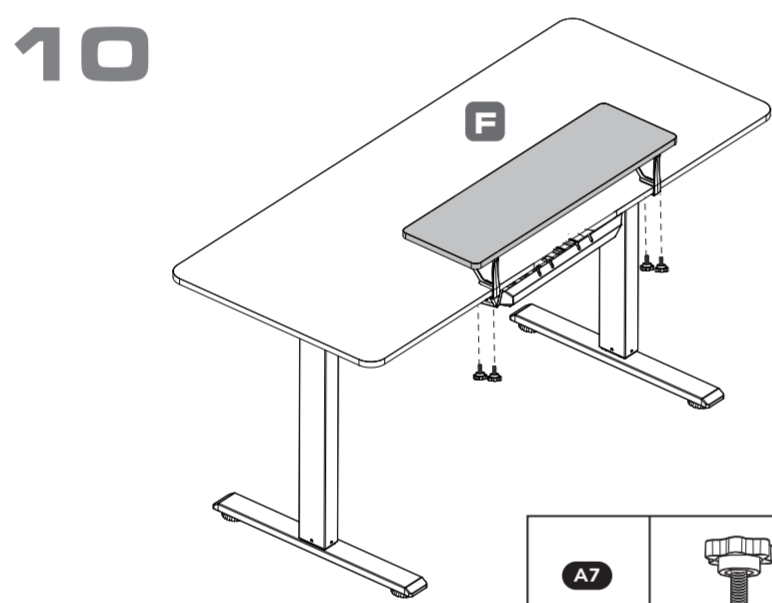




- Please make sure the screws are tight.
- Certifique-se de que os parafusos estão apertados.
- Asegúrese de que los tornillos estén apretados.
- Пожалуйста, убедитесь, что винты затянуты.
- Bitte achten Sie darauf, dass die Schrauben fest angezogen sind.
- Veuillez vous assurer que les vis sont bien serrées.
- 나사가 단단히 조여져 있는지 확인하십시오.
- ネジがしっかりと締められていることを確認してください。
- 請確保螺絲鎖緊。
- 請確保螺絲鎖緊。

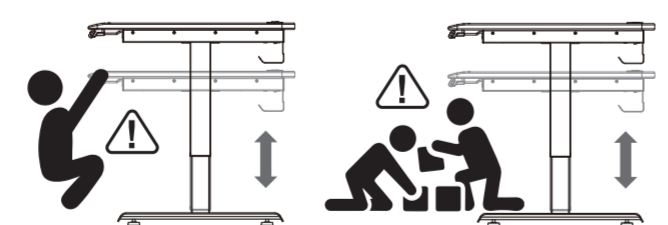


- Move with 2 people.
- Os dois trabalham juntos.
- Los dos trabajan juntos.
- Два человека работают вместе.
- Die beiden arbeiten zusammen.
- Les deux travaillent ensemble.
- 두 사람은 함께 일합니다.
- 二人は協力して働きます。
- 兩人一起搬動。
- 兩人一起搬動。



- After the table is installed, please press and hold "RESET" button for 3 seconds until "---" is on the screen, release the button.
- Após a instalação da mesa, pressione e segure o botão "RESET" por 3 segundos até que "---" apareça na tela, solte o botão.
- Después de instalar la mesa, presione y mantenga presionado el botón "RESET" durante 3 segundos hasta que aparezca "---" en la pantalla, suelte el botón.
- После установки стола нажмите и удерживайте кнопку «RESET» в течение 3 секунд, пока на экране не появится «---», отпустите кнопку.
- Nachdem der Tisch installiert ist, halten Sie bitte die „RESET“-Taste 3 Sekunden lang gedrückt, bis „---“ auf dem Bildschirm angezeigt wird, und lassen Sie die Taste los.
- Une fois la table installée, veuillez appuyer et maintenir le bouton « RESET » pendant 3 secondes jusqu'à ce que « --- » s'affiche à l'écran, relâchez le bouton.
- 테이블을 설치한 후 화면에 "---"가 나타날 때까지 "RESET" 버튼을 3초간 누르고 있다가 버튼을 놓습니다.
- テーブルを取り付けた後、画面に「---」が表示されるまで「RESET」ボタンを3秒間押し続けてからボタンを放してください。
- 桌子安装好后，请按住“RESET”按钮3秒，直到屏幕上显示“---”，松开按钮。
- 桌子安装好后，請按住“RESET”按钮3秒，直到螢幕上顯示“---”，放開按鈕。

FUNCTION & TROUBLESHOOTING	INSTRUCTION
Reset Operation	When the desk is installed for the first time or failure occurred during use, perform the following operations: 1. Pull out the power cord and motor line, and then re-plug, to ensure that they are firm. 2. Press and hold "RESET" button for 3 seconds until "---" is on the screen, release the button. The desktop automatically moves up and down to find the highest and lowest height. When this process stops, the reset operation is complete.
Height Adjustment	Press up "▲" or down "▼" button to raise or lower the desktop. (The display flashes when the "▲" or "▼" button is pressed and held for 3 seconds, and when the button is released, it automatically reaches the highest or lowest point on the desktop, and can be stopped midway by any press.)
Height Memory	Press and hold "M1" or "M2" button for 3 seconds, the display flashes and the position is saved. (Press the "M1" or "M2" button, the desktop automatically run to the memory position, and can be stopped midway by any press.)
Stand and Sit Reminder	The countdown time offers 3 levels of time, T30=30 minutes, T45=45 minutes, T60=60 minutes. Start the countdown by pressing "TIME" button to display "T30/45/60" in sequence and the countdown will start. When the countdown is over, the display will flash Chr on the screen, and the desktop will rise and fall 5mm. Exit countdown: 1. Press "TIME" button to display the height number on the screen. 2. Without any action, it will automatically exit the timer after 2 consecutive reminders at 5 minutes intervals.



E-STAR 120/140 featured an electric brake, which is for obstacles in-between, such as cabinet or PC case. It is highly suggested to avoid the human underneath as the height movement. The physical injuries from height adjustment are excluded from the after-service.

GLOBAL WARRANTY POLICY
WARRANTY PERIODS OF COUGAR GAMING DEVICES
 Product : E-STAR 120 / 140 Electric Gaming Desk
 Warranty : 2-Year for Electric Parts, 5-Year for Lifting Column
 This warranty gives you specific legal rights. You may also have other rights granted under local law. These rights may vary.

WARRANTY AGREEMENT
 •If the product has defects in material or manufacture, COUGAR will provide product repair and replacement service within the warranty period.
 •Our warranty service is based on the date of the invoice or warranty card.

CONDITIONS WHERE FREE MAINTENANCE IS NOT PROVIDED
 •Any fault or damage caused by natural disasters (including storm, fire, flood, thunder, earthquake, etc).
 •Any fault or damage caused by accidental factors and man-made reasons (including hit, scrape, crash, moving, compression, stain, corrosion, riot, misuse, malicious damage, etc).
 •Use in an improper operating environment (including high temperature, high humidity, water inflow, etc).
 •Inability to provide the product warranty card, purchase receipt or invoice to prove the product is still within the warranty period and the shipping date of the product is out of warranty.
 •The warranty card has been altered or its number is hard to identify.
 •The warranty period has expired.
 •Any fault or damage caused by non-compliance with regulations stated on the user manual or improper, rough and careless treatment.
 •Any fault or damage caused by use of parts not certified by COUGAR original manufacturer.
 •The problem is caused by improper repair or adjustment by the buyer or any manufacturer without authorization from COUGAR.
 •The product is not acquired from an authorized distributor of the company or is acquired from illicit sources.
 •Paper carton, instruction and other accessories are not warranted.

DISCLAIMERS
 •COUGAR products should not be used as critical components in life support devices.
 •COUGAR is not liable for any damage of life and limb or damage or loss of property caused by or during COUGAR products' use as or with medical equipment, military equipment, traffic equipment and disaster prevention systems.
 •COUGAR's warranty liability is limited to repair or replacement. The decision on whether to repair or replace belongs exclusively to COUGAR.
 •COUGAR is, to the extent not prohibited by law, not liable for any damages; expenses; lost data, revenues, savings or profits; or any incidental or consequential damages happened while the use of a defective product from COUGAR or due to its use.

WARNING
 •Please wear protective gloves when assembling the Desk. It is your own responsibility to use appropriate protection to prevent any physical damage.
 •Do not use abrasive products or scrub energetically when cleaning. Please stick to gentle products suitable for delicate materials.
 •All parts should be checked monthly to confirm their integrity and to make sure that the screws are not loose.
 •If any part of the product is or appears to be damaged, missing or loose, please contact the local distributor and do not use the product. WARNING

LEGAL NOTICES
 This manual was created by Compucase Enterprise and may not be completely or partially copied, passed on, distributed or stored without written consent by Compucase Enterprise. COUGAR® is a registered brand of Compucase Enterprise. Other product and company names mentioned in this documentation may be brands or trademarks of their respective owners. Compucase Enterprise reserves the right to make changes concerning the contents of the manual and the technical data of the product without previous announcement.

MANUFACTURER CONTACT

COUGAR
 www.cougargaming.com

COUGAR USA Technical Service
 Tel: (833) 256-3778
 Mail: rma@compucaseusa.com

Compucase Enterprise Co., Ltd.
 All rights reserved.

Official website

www.cougargaming.com
 facebook.com/cougargaming
 youtube.com/user/COUGARGLOBAL

CE FC EAC UK CA RoHS

FR
 Pensez à donner ou recycler.
 Association Magasin Déchèterie
 https://quefairedemesdechets.fr