

PERFORMANCE

INNOVATIVE TEMPERED GLASS GAMING CASE



CSAZ-804

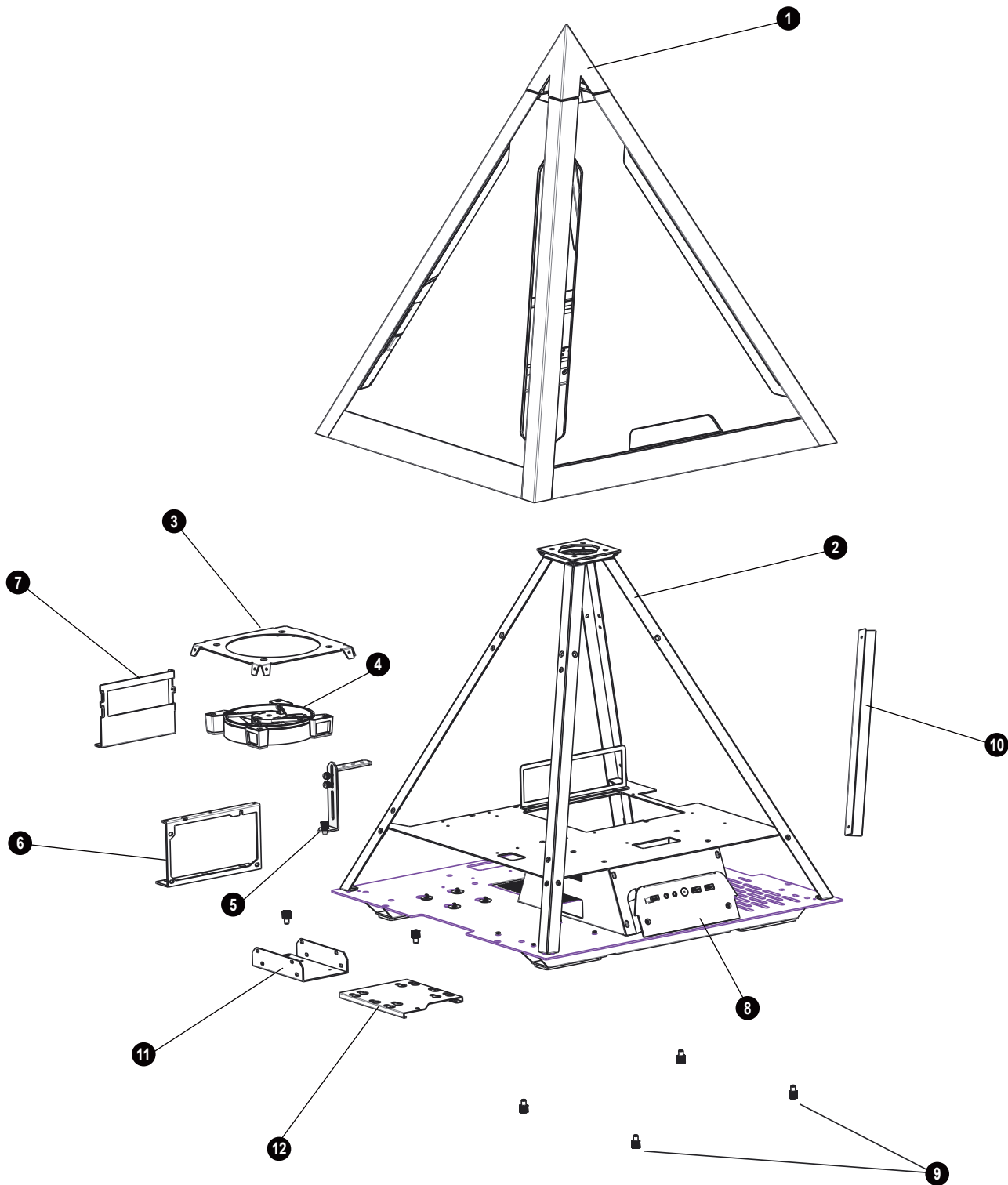
USER MANUAL

www.azzatek.com

1. Specifications
2. Chassis Parts
3. Removing The Top Glass Panel
4. Overview
5. Supported Motherboards
6. Power Supply Installation
7. Video Card Installation
8. Water Radiator Installation
9. 2.5"SSD / 3.5"HDD Installation
10. PCI-E Cable
11. Fan Installation
12. Digital RGB Fan Installation For Motherboard

Model	
Model Name:	PYRAMID 804
Name:	CSAZ-804
Specifications	
Type:	ATX Tower
Color:	1.5~2.0mm SPCC+ 2.5mm Aluminum
Side Panel Window:	4 sides of top panel are tempered glass
Max. CPU Cooler Height:	UP to 80mm
Max. GPU Dimensions:	L=300 mm / W=132 mm / H=47 mm (Horizontal)
Power Supply:	Not included
Motherboard Compatibility:	<305 x280mm SSI-CEB 、 ATX
Expansion	
External 5.25" Drive Bays:	0
Internal 2.5" Drive Bays:	Up to 2
Internal 3.5" Drive Bays:	Up to 1 (Convertible with 2.5"SSDx1)
Expansion Slots:	2
Front Ports:	2xUSB 3.0 、 HD Audio 、 Type C 、 Metal Power Button
Physical Specifications	
Metal Chassis Dimensions (HxWxD)	558x490x490/22x19.3x19.3 inch
Physical Dimensions (HxWxD)	585x490x490mm/23x19.3x19.3 inch
Weight:	14kg /30.9lbs
Features	
Tempered Glass Side Window:	High-quality tempered glass side window allows for clear visuals to inner components
Available Fan Ports:	1x120mm Fan port in the Top(1x 120mm Hurricane II Digital RGB Fan included) 3x120mm Fan port on the Bottom
Water Cooling:	Supports radiators up to 360mm on the bottom
Isolated Chamber:	ATX Power supply inside its own isolated chamber, preventing its heat from affecting other components
Easy Installation Cooler:	A pre-cut hole for easy installation of CPU Cooler, eliminating the need to remove the motherboard
Accessories	15cm PCI-E 3.0 extension cable for VGA card(Support EATX 、 ATX MB) Adjustable video card holder Stand & Tempered glass (optional)

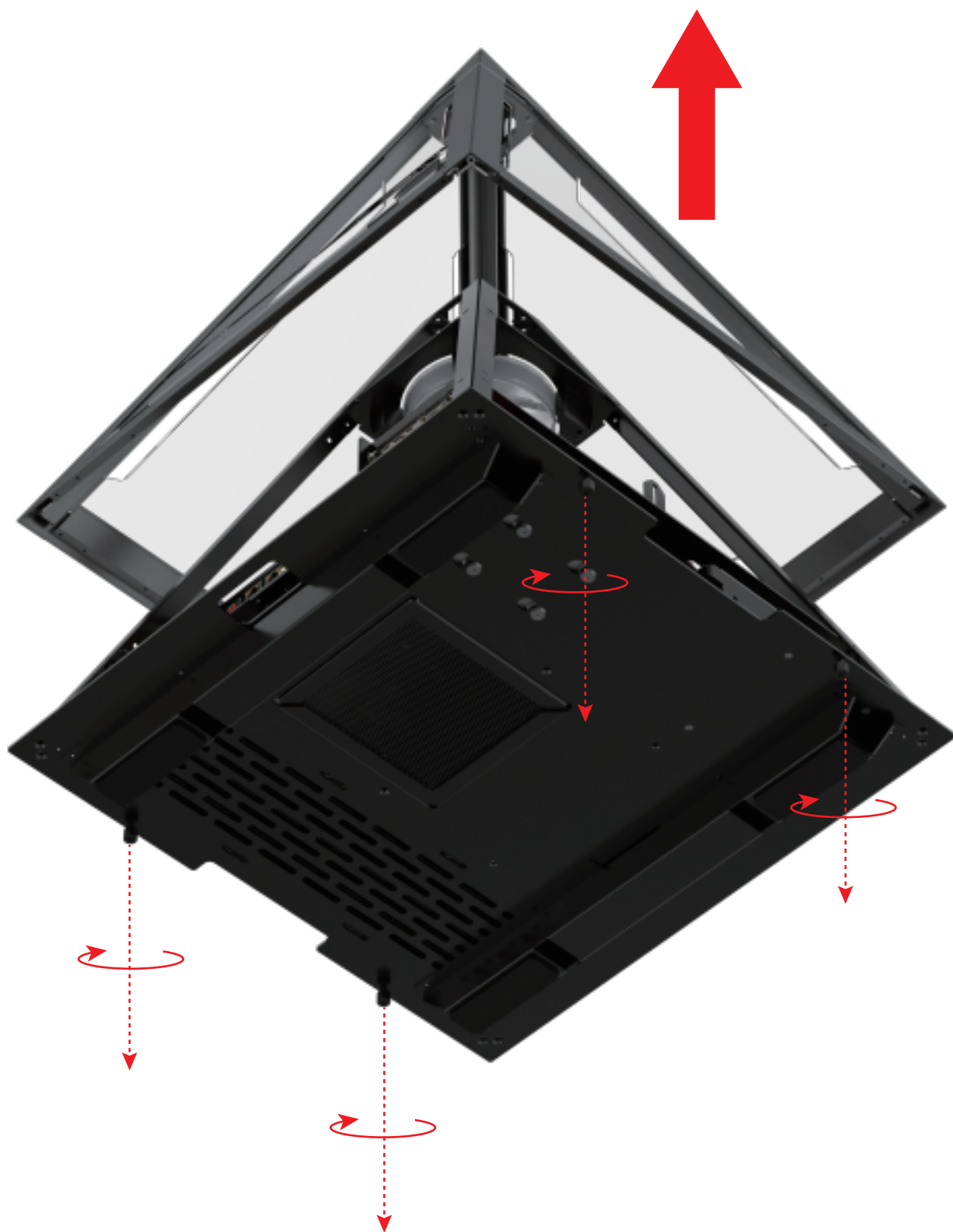
Chassis parts



1	TOP tempered glass panel cover	7	Horizontal PCIe slot
2	Pyramid structure	8	I/O Ports: USB 3.0 x 2 , Type C, HD Audio
3	Fan bracket	9	Spring bolt screw of top panel cover
4	12cm ARGB Fan	10	Fan Cable management Cover
5	Adiustable Video Card Holder	11	2.5"SSD brackets X1
6	Power supply rack	12	3.5"HDD /2.5"SSD Spring Bolt Tray X1

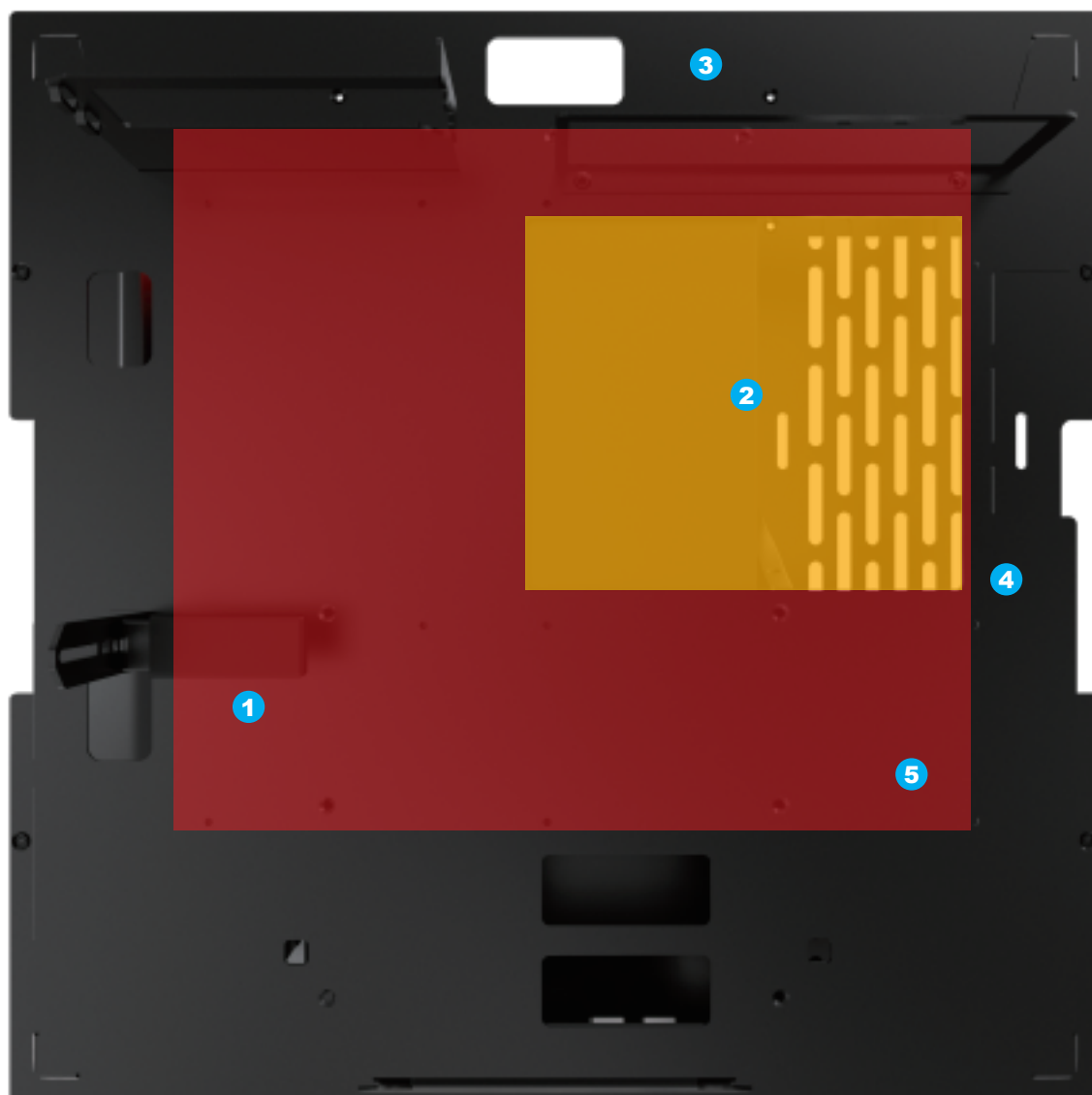
Removing The Top Glass Panel

Lift to remove top panel



Loosen the four screws

* Product photos are for reference only.



- ① Adjustable video card holder
- ② Pre-cut hole for CPU cooling
- ③ Power cord management hole
- ④ Water radiator management hole
- ⑤ motherboard mount

* Product photos are for reference only.

Supported Motherboards

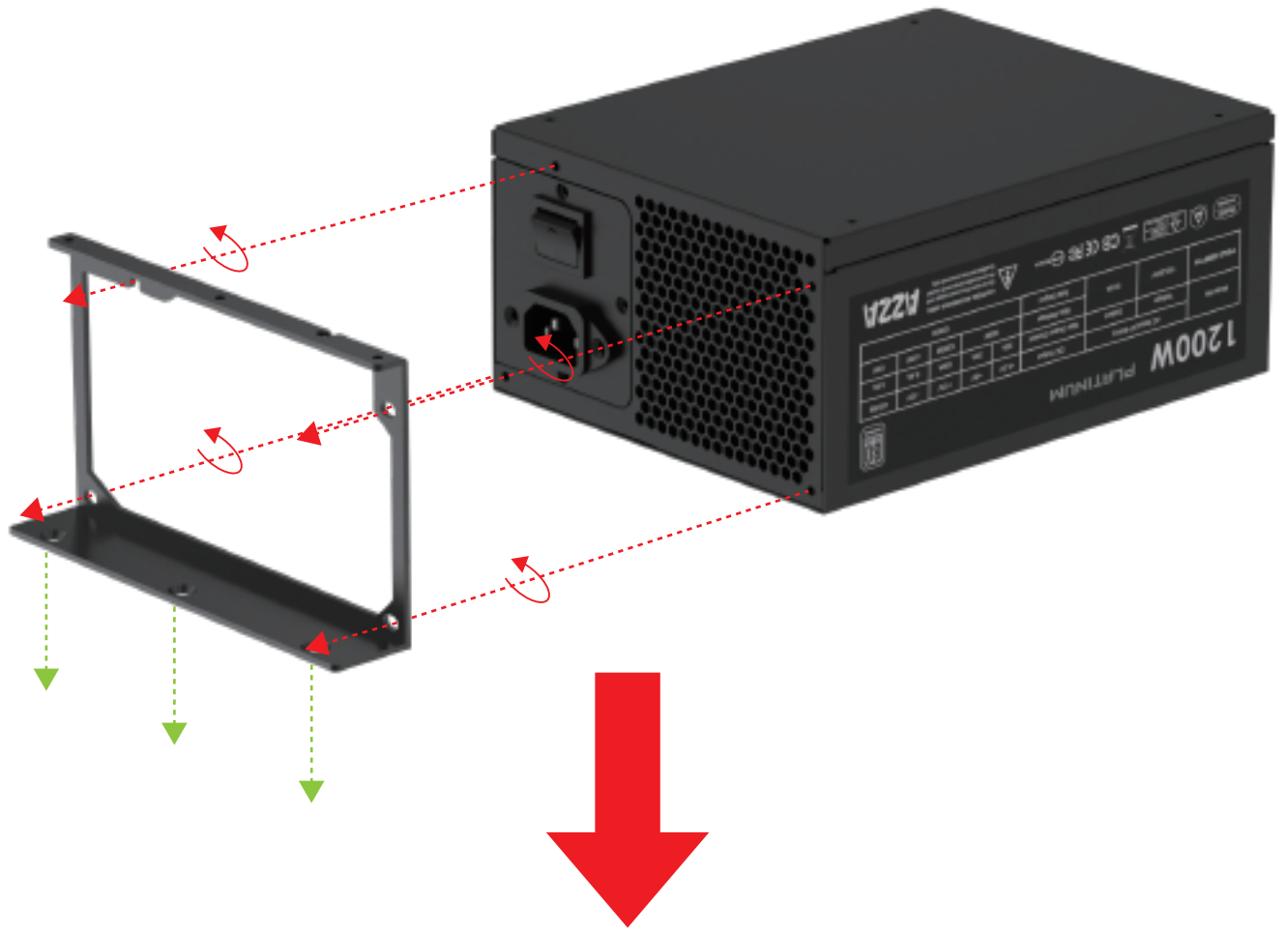


Maximum: <305 x280mm SSI-CEB

Minimum : ATX Motherboard

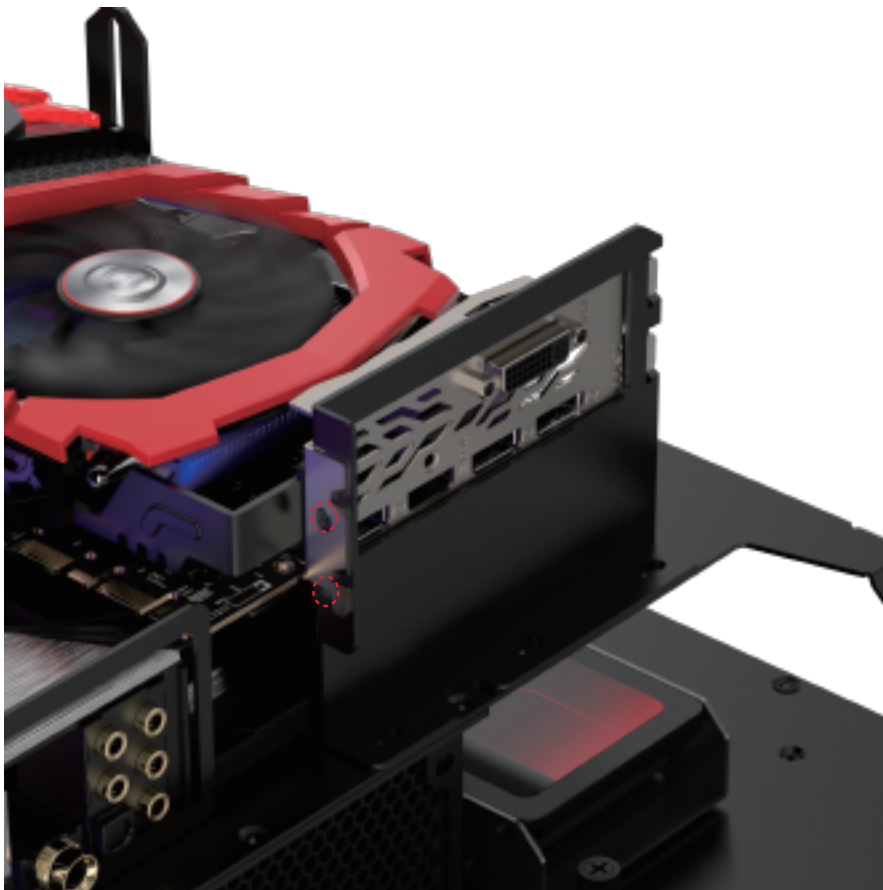
* Product photos are for reference only.

Power Supply Installation



* Product photos are for reference only.

Video Card Installation



- Tighten the screws to secure the video card.



* Product photos are for reference only.

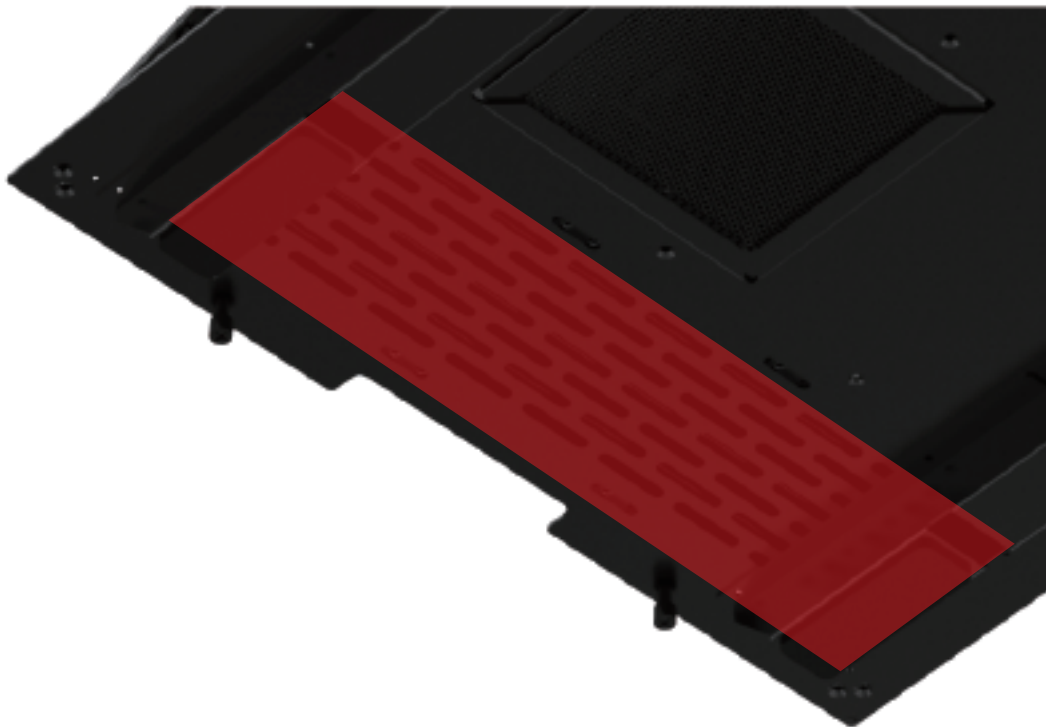
Bottom View



- Secure the screws of the water radiator.

* Product photos are for reference only.

Water Radiator Installation



- Supports up to 120mm fans x 3 / 240 / 360mm water radiator

* Product photos are for reference only.

2.5"SSD / 3.5"HDD Installation



(I) 2.5" SSD spring bolt tray: Supports up to 2.5" SSD x 2

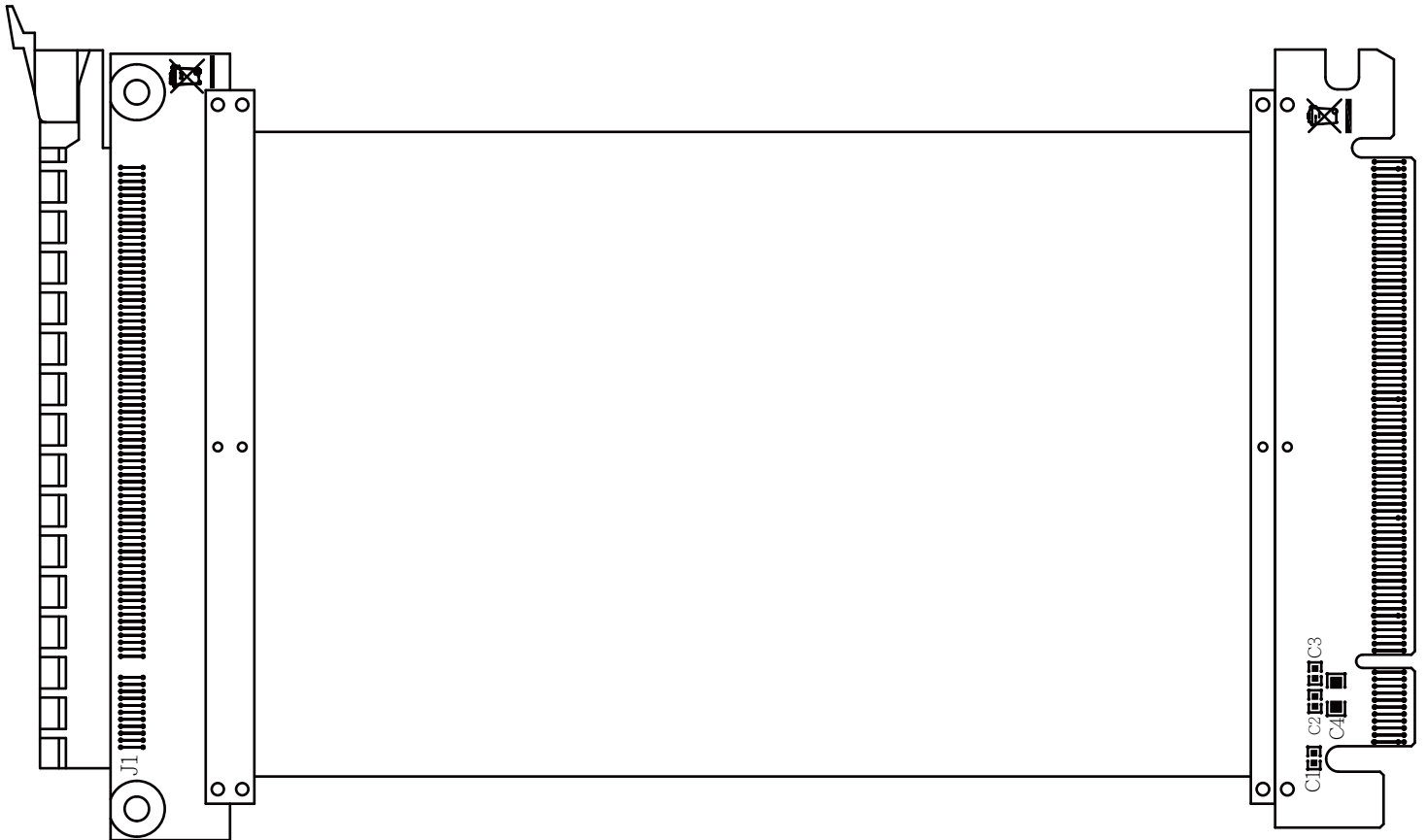
(II) 3.5" HDD spring bolt tray: Supports 3.5 HDD x 1
(also compatible with a 2.5" SSD)

STEP:

- 1 Loosen the spring bolt screw
- 2 Slide left or right to remove the tray.
- 3 Install the 2.5"SSD or 3.5"HDD
- 4 Fasten the spring bolt screw

* Product photos are for reference only.

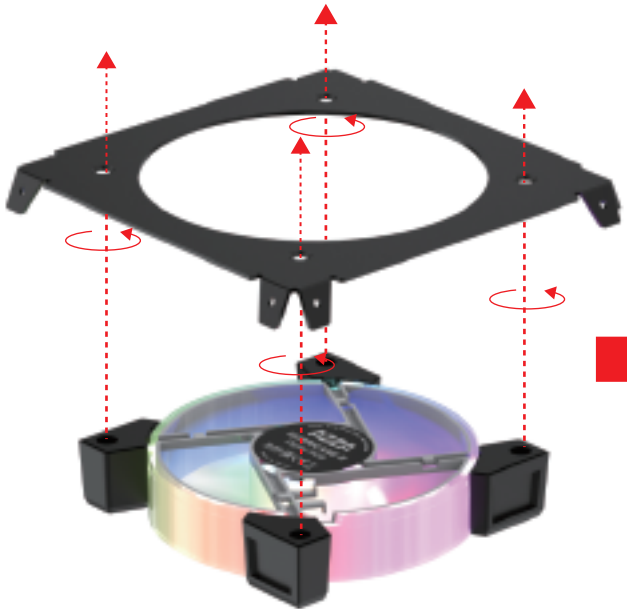
PCI-E Cable



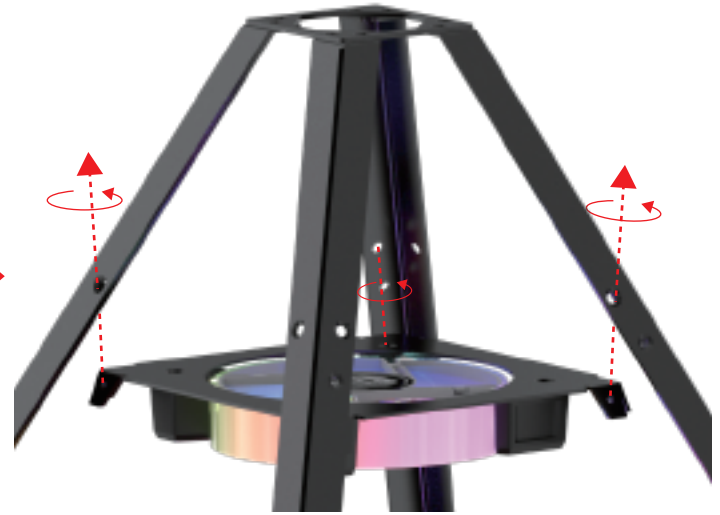
150 mm PCI-E 3.0 Cable(Support EATX 、 ATX Motherboard)

To fix potential compatibility issues with PCI-e Gen 4.0, please connect your graphics card directly to the motherboard, enter the BIOS, and change the PCI-e x16 mode to 3.0 before using the RGB PCI-e cable.

Fan Installation



■ Fasten the fan screws

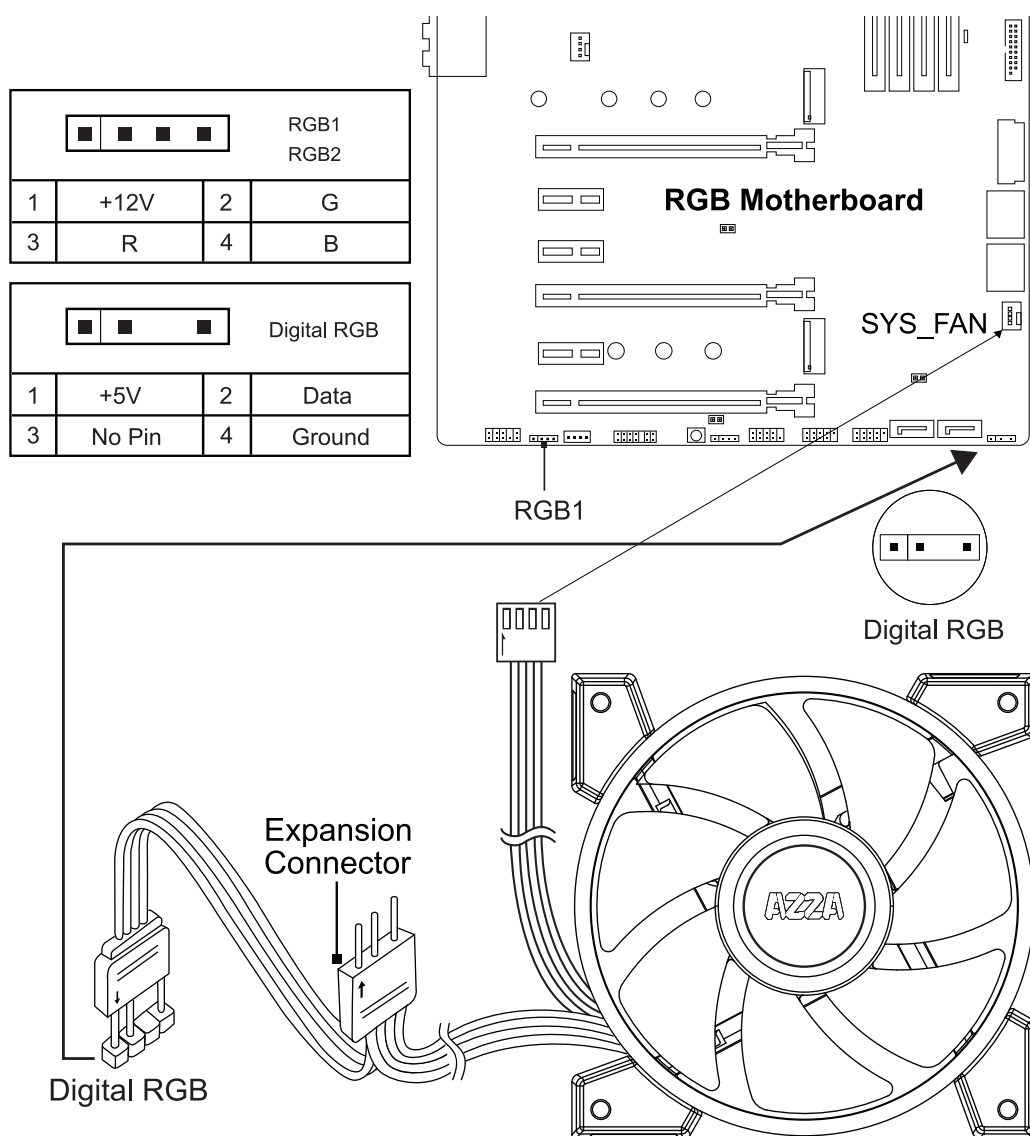


■ Secure the fan to the top of the Pyramid.



■ Manage the fan cables by hiding them.

Digital RGB Fan Installation For Motherboard



The addressable RGB fans can connect directly to the 5V addressable RGB headers of compatible motherboards, such as those from MSI™, ASUS™, Gigabyte™ and AsRock™.

Please note: Only 5V addressable headers from compatible motherboards are supported. Please do NOT connect the fan to a 12V non-addressable header.

Please check your motherboard's specifications before use. Do not go past the motherboard's allowed limits on power rating and LED count when connecting multiple fans/LED strips.

Complete



* Product photos are for reference only.

AZZA
ONE VISION. ONE MISSION