

S4028-15K

40 mm Server Fan

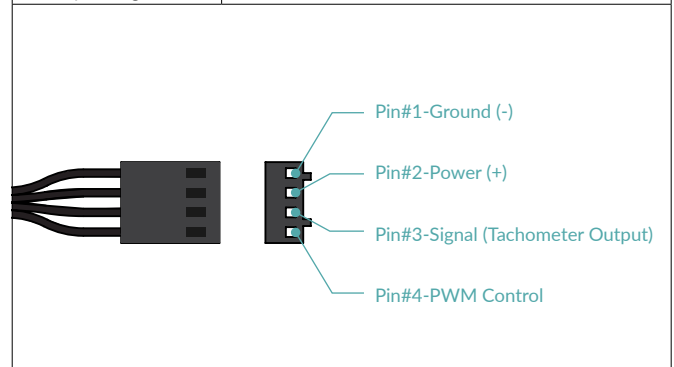


General Specifications

Dimensions	40 (L) x 40 (W) x 28 (H) mm
Weight	42 g
Flammability UL94	V-0
Warranty	6 Years

Fan Specifications

Speed	1400-15000 rpm
Speed Control	Pulse Width Modulation - PWM
Static Pressure	26.5 mmH ₂ O
Airflow	19.23 CFM 32.67 m ³ /h
Bearing	Dual Ball Bearing
Cable Length	400 mm, Black
Connector	2510 4-Pin Fan Connector
Current/Voltage	0.47 A 12.0 V DC
Start up Voltage	4.5 V



Shipping Information - Single Fan

Package Content	S4028-15K x1 Mounting Screws x4
Box Dimensions	45 (L) x 33 (W) x 57 (H) mm
Gross Weight	51 g
SKU	ACFAN00264A
EAN	4895213703802
UPC	840033401616

Shipping Information - Value Pack

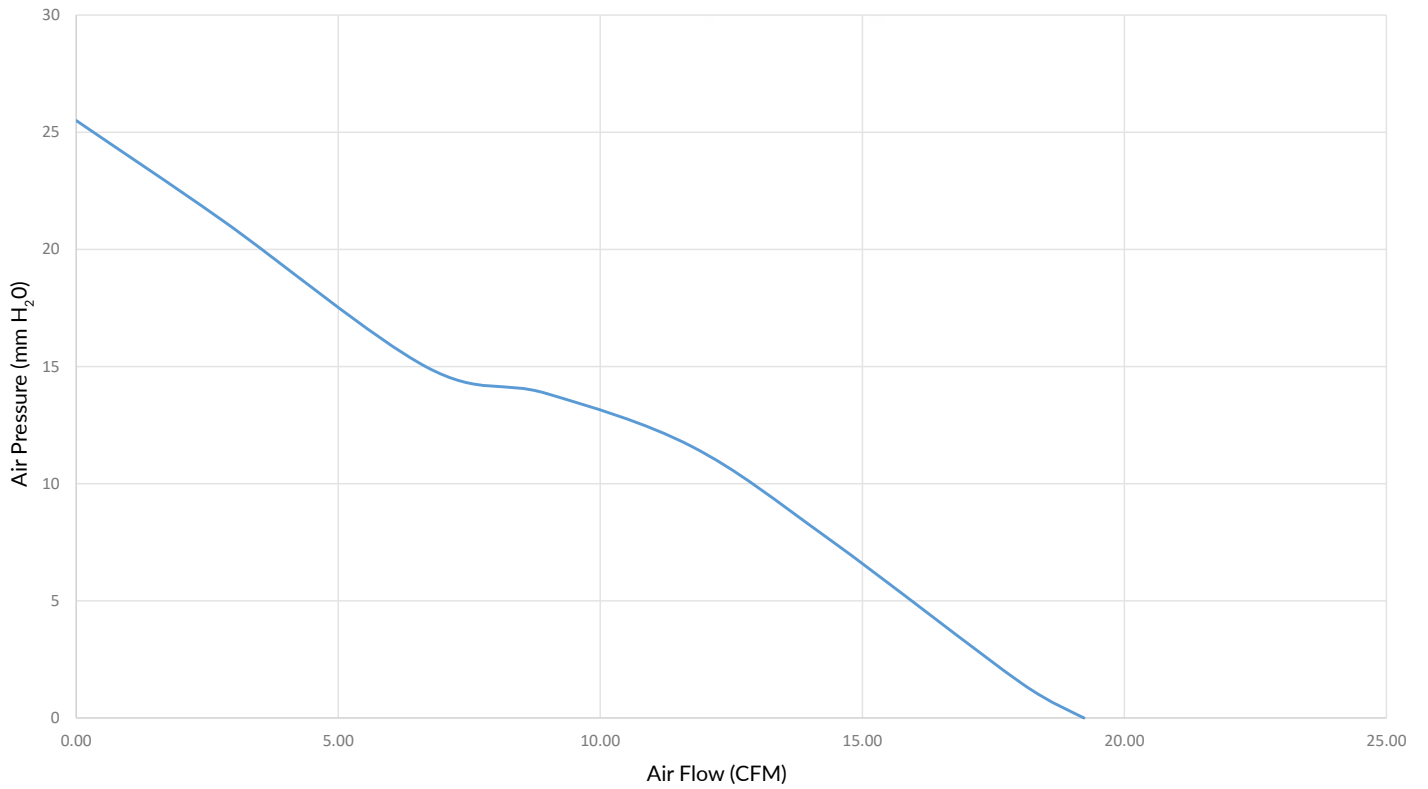
Package Content	S4028-15K x5 Mounting Screws x20
Box Dimensions	86 (L) x 90 (W) x 55 (H) mm
Gross Weight	244 g
SKU	ACFAN00274A
EAN	4895213703826
UPC	840033401630

S4028-15K

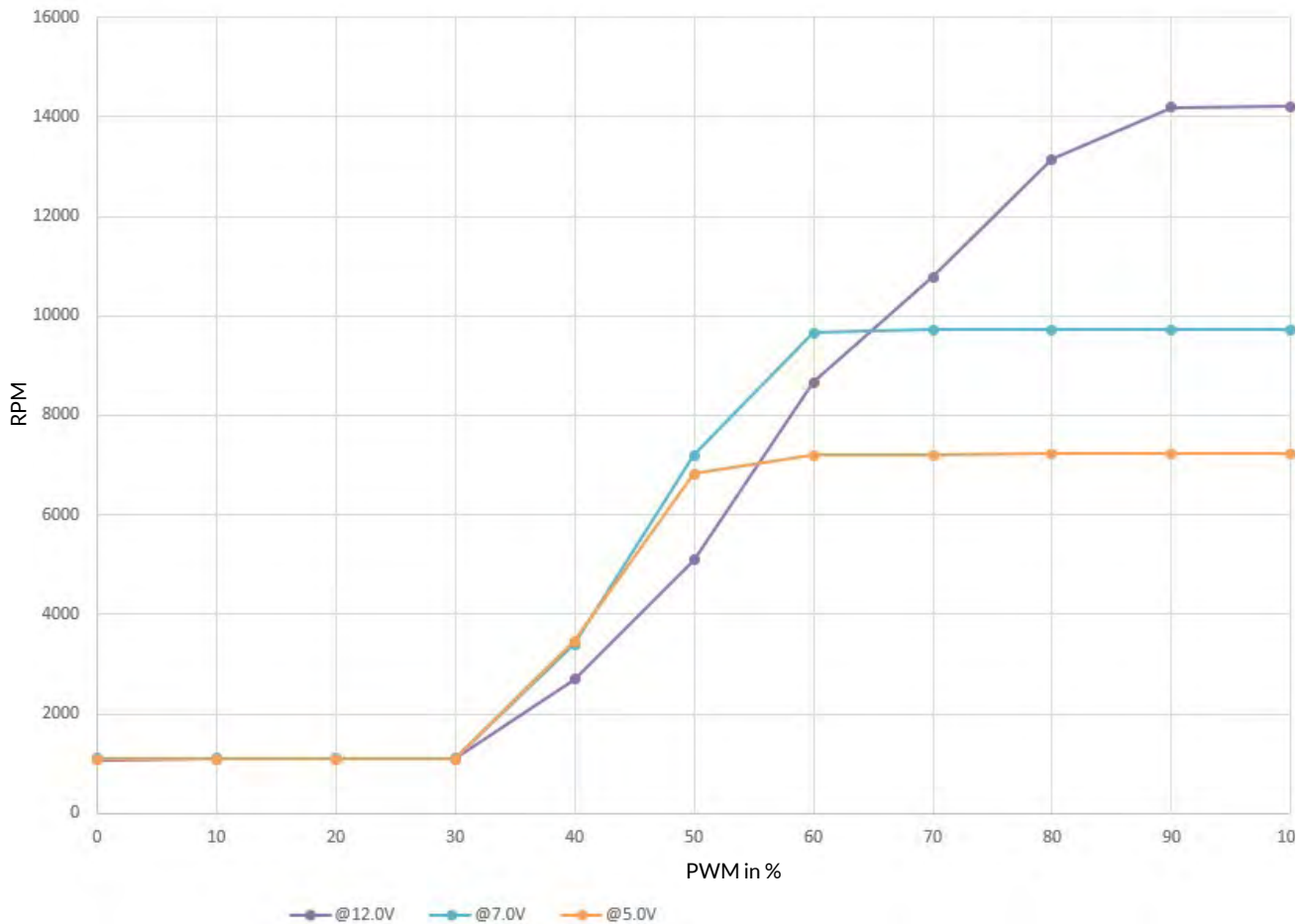
40 mm Server Fan



P/Q Curve

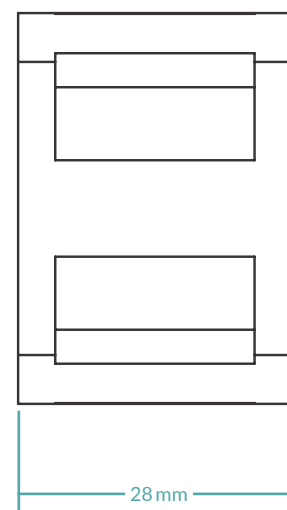
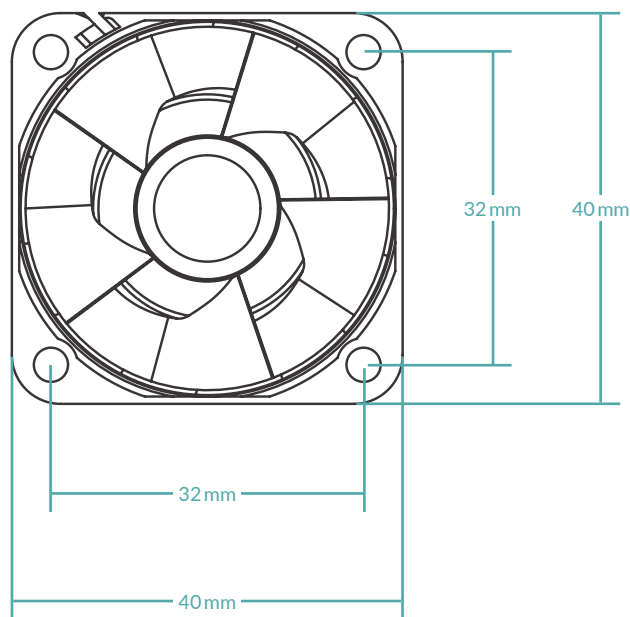


PWM to rpm Curve



S4028-15K

40 mm Server Fan



All materials are compatible with RoHS requirements.

MORE INFORMATION



MANUALS

