



DarkBlader X5

Distinctive Mid-Tower Case with Superior Airflow



Distinctive Style with Superior Airflow

DarkBlader X5 refined wedge-form and asymmetrical design bring a unique and modern style with excellent appearance and sufficient airflow to your build.



Vertical GPU Support

This revolutionary case is both about performance and aesthetics. To bring your system's awesomeness to the limit, DarkBlader X5 supports vertical GPU installation.

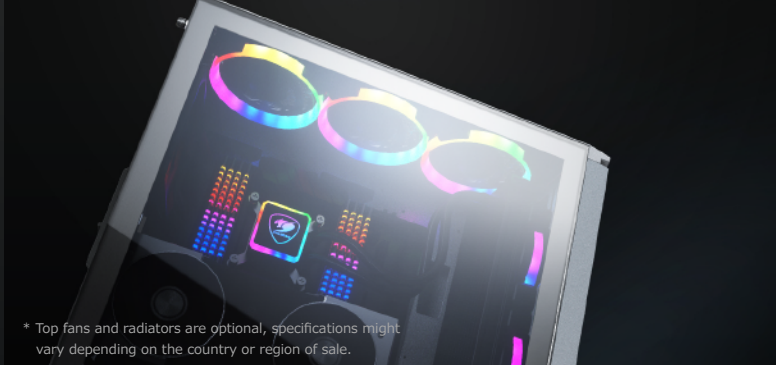


* Please choose either of a Vertical Graphic Card or 2.5" SSD trays on the PSU cover to install.

* Top fans and radiators are optional, specifications might vary depending on the country or region of sale.

Massive Tempered Glass Left Panel

With the full-length PSU cover hides cables and a massive tempered glass left panel presents a clean and tidy build, you can easily build a pro-level system. Furthermore, we use metal frames, instead of drilling tempered glass with 4 holes in corners, which helps to upgrade the durability.



* Top fans and radiators are optional, specifications might vary depending on the country or region of sale.

Top-notch Gaming Hardware

To offer top-notch performance, DarkBlader X5 is able to house a mighty build. Its excellent support for up to 340mm-long graphics cards and E-ATX motherboards bring you unprecedented freedom of hardware system.



* Top fans and radiators are optional, specifications might vary depending on the country or region of sale.



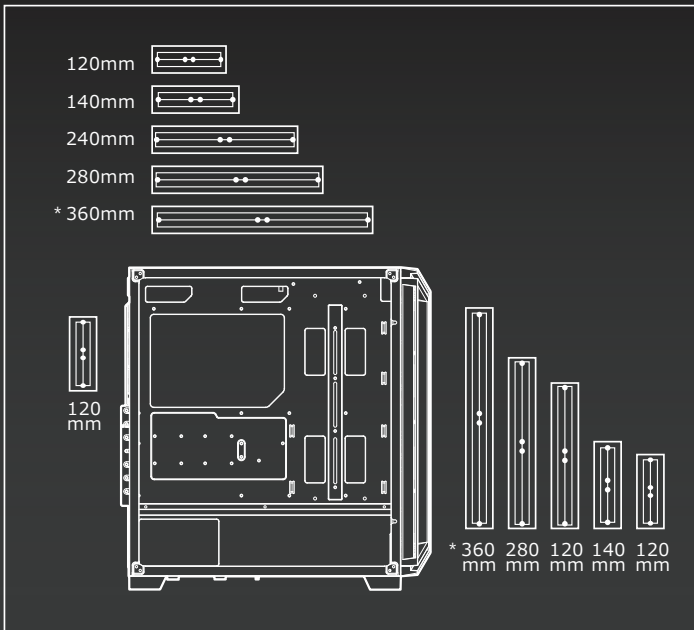
DarkBlader X5

Distinctive Mid-Tower Case with Superior Airflow

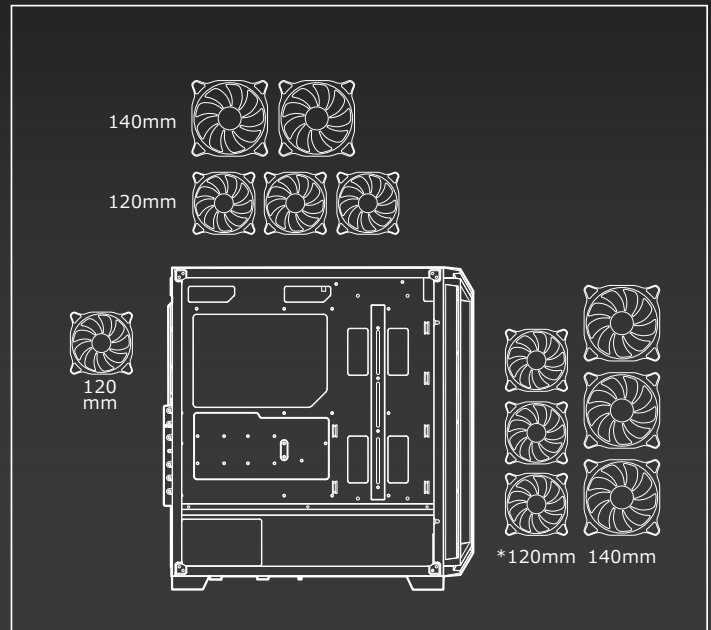
Superior Cooling

With great support for up to 360mm water cooling radiator and seven fans, you will enjoy superior cooling horsepower to keep advanced components safe from overheating.

Water cooling radiator support



Air cooling support



* Please choose either of front or top to install a 360mm radiator.

* Please choose either of a TOP 360mm radiator or FRONT 120mm x 3 fans to install.

SPECIFICATIONS

Model Name	DarkBlader X5 (Translucent Black)	DarkBlader X5 (White)	Water Cooling Support	Front : *360mm / 280mm / 240mm / 140mm / 120mm Top : *360mm / 280mm / 240mm / 140mm / 120mm Rear : 120mm
Model No.	CGR-5UM3TB-X5	CGR-5UM3W-X5	Cooling Fan Support	Front : * 120mm x 3 / 140mm x 3 Top : 120mm x 3 / 140mm x 2 Rear : 120mm (pre-installed)
Case Type	Mid Tower		Maximum Number of Fans	7 Max.
Motherboard Type	Mini ITX / Micro ATX / ATX / CEB / E-ATX		Transparent Left Panel	4mm Tempered Glass
Dimension (WxHxD)	220 x 486 x 468 (mm) / 8.7 x 19.1 x 18.4 (in)		Max. CPU Cooler Height	170 (mm) / 6.7 (in)
Case Drive Bays	3.5" : 2 2.5" : 2+2 (converted from 3.5" drive bays) / (2 SSD trays included)		Max. Graphics Card Length	400 (mm) / 15.7 (in)
I/O Panel	USB 3.0 x 1, USB 2.0 x 2, Mic x 1 / Audio x 1, Reset Button		Max. PSU Length	180 (mm) / 7.1 (in)
Expansion Slots	7+2			

*Please choose either of front or top to install a 360mm radiator.

*Please choose either of a TOP 360mm radiator or FRONT 120mm x 3 fans to install.

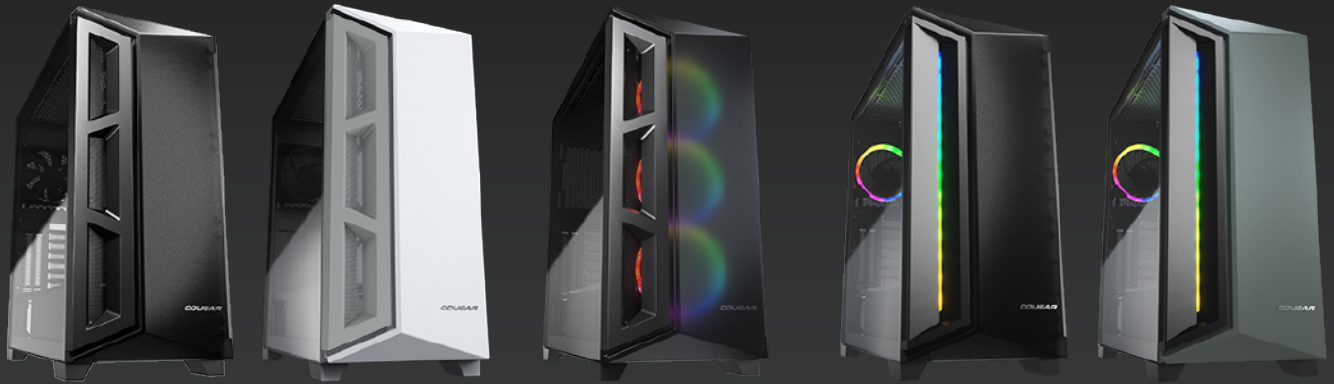
PACKING DATA

Product Name	DarkBlader X5 (Translucent Black)	DarkBlader X5 (White)	Individual Size W/O Packaging Weight (N.Weight)	6.73 (kg)
Product Number (P/N)	385UM30.0001	385UM30.0002	Individual Packaging Weight (G.Weight)	7.81 (kg)
EAN CODE	4710483770807	4710483770814	Individual Size W/O Packaging (WxHxD)	220 x 486 x 468 (mm) / 8.7 x 19.1 x 18.4 (in)
UPC CODE	192554002132	192554002149	Individual Packaging Size (WxHxD)	282 x 520 x 530 (mm) / 11.1 x 20.5 x 21 (in)
JAN CODE	4541995034640	4541995034640		



DarkBlader

COMPARISON



	DarkBlader X5 (Translucent Black)	DarkBlader X5 (White)	DarkBlader X5 RGB (Translucent Black)	DarkBlader X7 (Translucent Black)	DarkBlader X7 (Midnight Green)
Model No.	CGR-5UM3TB-X5	CGR-5UM3W-X5	CGR-5UM3TB-X5-RGB	CGR-5UM3TB-X7	CGR-5UM3G-X7
Front Panel	Plastic with Mesh			Plastic with an RGB Strip	
Chassis Color	Black	White	Black	Black	Black
I/O Panel	USB 3.0 x 1, USB 2.0 x 2, Mic x 1 / Audio x 1, Reset Button		Type C 3.1 x 1, USB 3.0 x 2, Mic x 1 / Audio x 1, RGB Button	USB 3.0 x 2, USB 2.0 x 1, Mic x 1 / Audio x 1, RGB Button	
Pre-installed Fans	Front	-	ARGB VK120 fans x 3 pre-installed	-	-
	Rear	120mm x 1 (Black fan x 1 pre-installed)		-	ARGB VK120 fan x 1 pre-installed
Onboard Lighting System	-	-	Yes	Yes	
RGB Sync. with M/B	-	-	Yes	Yes	
Transparent Left Panel	4mm Tempered Glass				